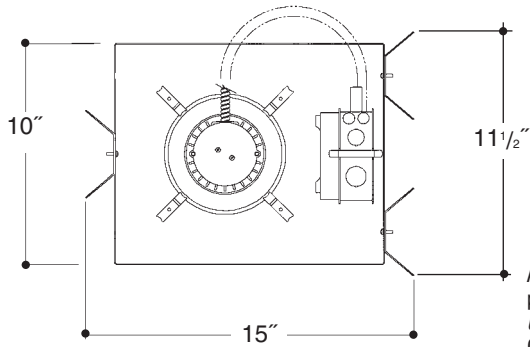


Architectural Grade

Job Name _____

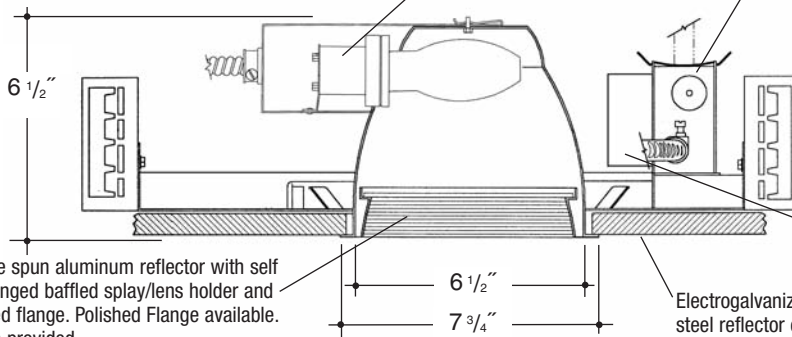
Type _____



7" HORIZONTAL LENSED BAFFLED HID

Aluminum socket housing with zinc plated steel quick assembly hardware. *UL Listed* socket and electrical connectors. Open Rated coated ED17 medium base.

Heavy gauge electrogalvanized steel junction box, prewired and grounded with easy access from below. Listed for through branch circuit wiring. Thermal cutout provided.



Adjustable height electrogalvanized plated steel mounting ears with cutouts for various mounting methods. Standard bars (included) are innovative and incorporate rigid formed cross sections, joint positioning tabs, integral nails, auxiliary nailholes, T-Bar slots and holes for locking bars to T-Bar using #8 self-tapping screws (by others). Bars extend 14"-24". Ears will also accept Caddy Bar #517 for fast installation in T-Bar ceilings, bars extend 27".

Heavy gauge spun aluminum reflector with self trimming flanged baffled splay/lens holder and white painted flange. Polished Flange available. Safety chain provided.

Electronic ballast factory standard. *UL Listed* component.

Electrogalvanized plated steel frame components with spring steel reflector clips for fast installation of reflector.

Rough in Kit – 7" Horizontal HID (ED17 Enclosed Rated* Lamp). **Note: 'Enclosed Fixture Rated' lamp must be used.*

Catalog Number **A7MHE-HOR**

A7MHE-HOR

Wattage	Ballast	Voltage	Options
100W MAX ED17	E	1	QS
70W ED17		2	QR
50W ED17		3*	PR
35W ED17		4	R F

Ballast	Options ▲
E Electronic	QS Quartz Socket
1 120 Volts	QR Quartz Restrike
2 277 Volts	PR Plaster Ring
3* 347 Volts	R Remodeler
4 208 Volts	F Fused

HPS* – Replace **A7MHE-HOR** with **HPS-A7HPSE-HOR**

* – HPS and 347V frame size - 14 1/2" x 17 3/4"

Finishing Kit – 7" HID Lensed Reflector - clear reflector standard with Black or White Baffled Splay

Catalog Number **76**

76

Lens	Finish	Options
7671 - Tempered Clear Lens	SCL/BL	PF
7674 - Tempered Prismatic Lens (C73 Pattern)	SCL/WH	DGSK
7676 - Fresnel Lens	WHT/WH	
7678 - Flat Alba Lens	WHT/BL	
7679 - Drop Opal Lens		

Finish (Factory Standard)

SCL/BL	Specular Clear "Alzak" with Black Baffled Splay
SCL/WH	Specular Clear "Alzak" with White Baffled Splay
WHT/WH	White Reflector with White Baffled Splay
WHT/BL	White Reflector with Black Baffled Splay

Options ▲

PF	High Polished Flange
DGSK	Neoprene Foam Double Gasketing

Features

Manufactured and Listed to UL 1598, ETL and CSA standards. Suitable for Damp Locations. Wet location under covered ceiling



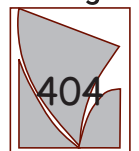
▲ See Options and Finishes pages for a list of additional finishes and equipment.

Vantage reserves the right to change components, finishes or design details in any manner which does not alter the installed appearance or reduce performance and intended function.

76 Community Avenue Plainfield, CT 06374
voice (860)564.4512 fax (860)564.4854
www.vantageitg.com

03/10

Vantage



Luminaires