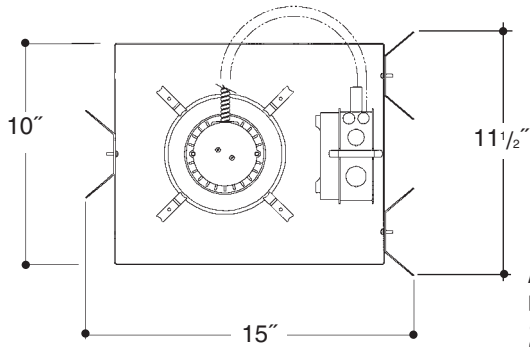


# Architectural Grade

Job Name \_\_\_\_\_

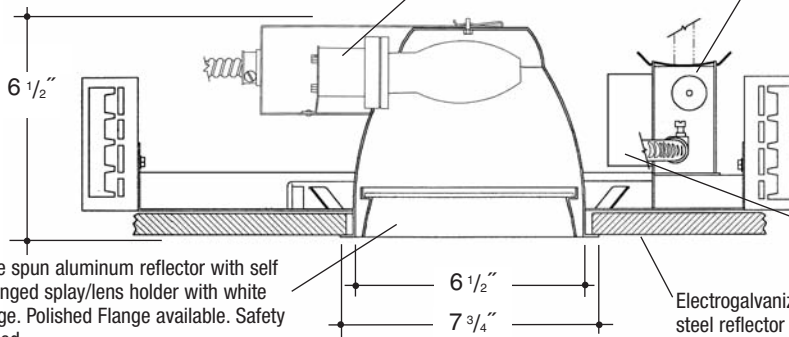
Type \_\_\_\_\_



**7"  
HORIZONTAL  
LENSED  
HID**

Aluminum socket housing with zinc plated steel quick assembly hardware. *UL Listed* socket and electrical connectors. Open Rated coated ED17 medium base.

Heavy gauge electrogalvanized steel junction box, prewired and grounded with easy access from below. Listed for through branch circuit wiring. Thermal cutout provided.



Adjustable height electrogalvanized plated steel mounting ears with cutouts for various mounting methods. Standard bars (included) are innovative and incorporate rigid formed cross sections, joint positioning tabs, integral nails, auxiliary nailholes, T-Bar slots and holes for locking bars to T-Bar using #8 self-tapping screws (by others). Bars extend 14"-24". Ears will also accept Caddy Bar #517 for fast installation in T-Bar ceilings, bars extend 27".

Heavy gauge spun aluminum reflector with self trimming flanged splay/lens holder with white painted flange. Polished Flange available. Safety chain provided.

Electronic ballast factory standard. *UL Listed* component.

Electrogalvanized plated steel frame components with spring steel reflector clips for fast installation of reflector.

## Rough in Kit – 7" Horizontal HID (ED17 Enclosed Rated\* Lamp). *\*Note: 'Enclosed Fixture Rated' lamp must be used.*

Catalog Number **A7MHE-HOR**

**A7MHE-HOR**

Wattage	Ballast	Voltage	Options
100W MAX ED17	E	1	QS
70W ED17		2	QR
50W ED17		3*	PR
35W ED17		4	R
			F

Ballast	Electronic
E	
Voltage	
1	120 Volts
2	277 Volts
3*	347 Volts
4	208 Volts
Options ▲	
QS	Quartz Socket
QR	Quartz Restrike
PR	Plaster Ring
R	Remodeler
F	Fused

**HPS\* – Replace A7MHE-HOR with HPS – A7HPSE-HOR**

\* – HPS and 347V frame size - 14 1/2" x 17 3/4"

## Finishing Kit – 7" HID Lensed Reflector - clear reflector standard with White Splay and self trim flange

Catalog Number **76**

**76**

Lens	Finish	Options
7661 - Tempered Clear Lens	SCL	PF
7664 - Tempered Prismatic Lens (C73 Pattern)	SGO	DGSK
7666 - Fresnel Lens	WHT	
7668 - Flat Alba Lens		
7669 - Drop Opal Lens		

Finish (Factory Standard)

<b>SCL</b>	Specular Clear "Alzak" Splay with White Flange
<b>SGO</b>	Specular Gold "Alzak" Splay with White Flange
<b>WHT</b>	White Splay with White Flange

Options ▲

<b>PF</b>	Polished Flange
<b>DGSK</b>	Neoprene Foam Double Gasketing

### Features

Manufactured and Listed to UL 1598, ETL and CSA standards. Suitable for Damp Locations Wet location under covered ceiling



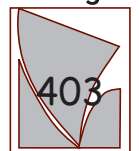
▲ See Options and Finishes pages for a list of additional finishes and equipment.

Vantage reserves the right to change components, finishes or design details in any manner which does not alter the installed appearance or reduce performance and intended function.

76 Community Avenue Plainfield, CT 06374  
voice (860)564.4512 fax (860)564.4854  
www.vantageitg.com

03/10

Vantage



Luminaires