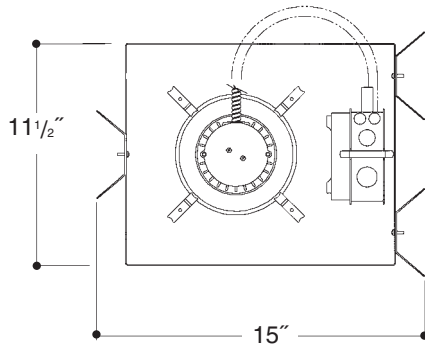


A r c h i t e c t u r a l G r a d e

Job Name _____

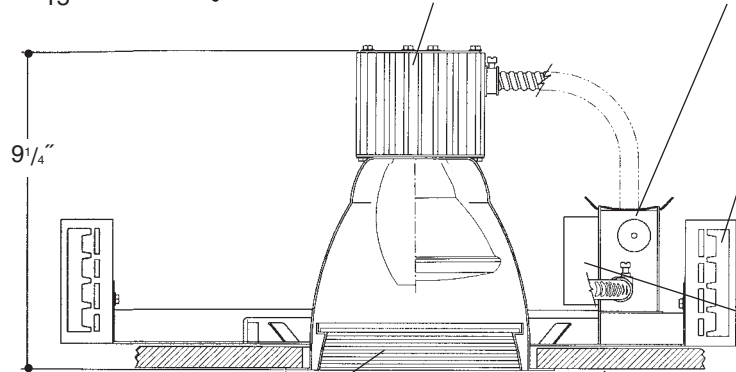
Type _____



7" LENSED BAFFLED HID

Extruded aluminum heat sink socket cup with spring steel snap-in clips for fast assembly. *UL Listed* "enclosed rated" pulse rated, 4KV, medium base porcelain socket, with nickel plated brass screw shell.

Heavy gauge electrogalvanized steel junction box, prewired and grounded with easy access from below. Listed for through branch circuit wiring. Thermal cutout provided.



Adjustable height electrogalvanized plated steel mounting ears with cutouts for various mounting methods. Standard bars (included) are innovative and incorporate rigid formed cross sections, joist positioning tabs, integral nails, auxiliary nailholes, T-Bar slots and holes for locking bars to T-Bar using #8 self-tapping screws (by others). Bars extend 14"-24". Ears will also accept Caddy Bar #520 for fast installation in T-Bar ceilings, bars extend 27".

Electronic ballast factory standard. *UL Listed* component.

Heavy gauge spun aluminum reflector with self trimming flanged baffled splay/lens holder and white painted flange. Polished Flange available. Safety chain provided.

Electrogalvanized plated steel frame components with spring steel reflector clips for fast assembly of reflector.

Rough in Kit – 7" HID (ED17; PAR20; PAR30; PAR38 Enclosed Rated* Lamps). **Note: 'Enclosed Fixture Rated' lamp must be used.*

Catalog Number **A7MHE**

A7MHE	Wattage	Ballast	Voltage	Options
100W MAX. PAR38, ED17		H	1	QS
70W PAR30, PAR38, ED17		E	2	QR
50W PAR30, ED17			3*	PR
39W PAR20, PAR30			4	R
35W ED17				F

Ballast	
H	Encased & Potted "F" Can
E	Electronic
Voltage	
1	120 Volts
2	277 Volts
3*	347 Volts
4	208 Volts
Options ▲	
QS	Quartz Socket
QR	Quartz Restrike
PR	Plaster Ring
R	Remodeler
F	Fused

PAR Lamp – Replace **A7MHE** with **PA7MHE**

HPS – Replace **A7MHE** with **A7HPSE**

* – 347V frame size - 14 1/2" x 17 3/4"

Finishing Kit – 7" HID Lensed Reflector - clear reflector standard with Black or White Baffled Splay

Catalog Number **74**

74	Lens	Finish	Options
7421 - Tempered Clear Lens		SCL/BL	PF
7424 - Tempered Prismatic Lens (C73 Pattern)		SCL/WH	DGSK
7426 - Fresnel Lens		WHT/WH	
7428 - Flat Alba Lens		WHT/BL	
7429 - Drop Opal Lens			

Finish (Factory Standard)

SCL/BL	Specular Clear "Alzak" with Black Baffled Splay
SCL/WH	Specular Clear "Alzak" with White Baffled Splay
WHT/WH	White Reflector with White Baffled Splay
WHT/BL	White Reflector with Black Baffled Splay

Options ▲

PF	High Polished Flange
DGSK	Neoprene Foam Double Gasketing

Features

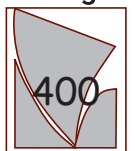
Manufactured and Listed to UL 1598, ETL and CSA standards. Suitable for Damp Locations. Wet location under covered ceiling



▲ See Options and Finishes pages for a list of additional finishes and equipment.

Vantage reserves the right to change components, finishes or design details in any manner which does not alter the installed appearance or reduce performance and intended function.

Vantage



76 Community Avenue Plainfield, CT 06374
voice (860)564.4512 fax (860)564.4854
www.vantageitg.com

03/10

Luminaires