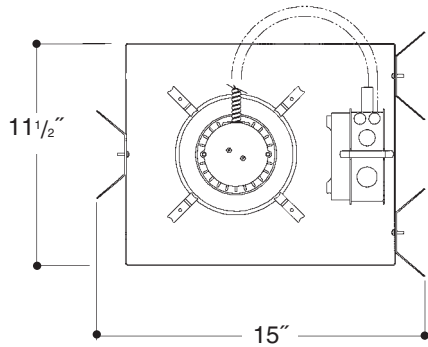


# Architectural Grade

Job Name \_\_\_\_\_

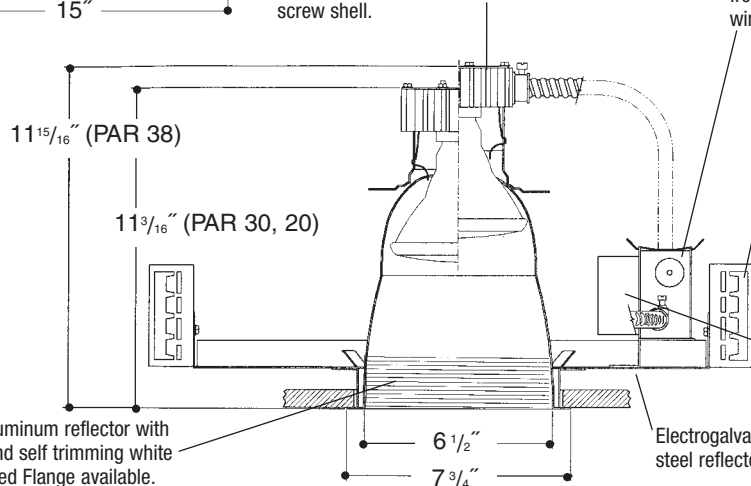
Type \_\_\_\_\_



## 7" DEEP BAFFLED HID

Extruded aluminum heat sink socket cup with spring steel snap-in clips for fast assembly. *UL Listed* "open rated" pulse rated, 4KV, medium base porcelain socket, with nickel plated brass screw shell.

Heavy gauge electrogalvanized steel junction box, prewired and grounded with easy access from below. Listed for through branch circuit wiring. Thermal cutout provided.



Adjustable height electrogalvanized plated steel mounting ears with cutouts for various mounting methods. Standard bars (included) are innovative and incorporate rigid formed cross sections, joist positioning tabs, integral nails, auxiliary nailholes, T-Bar slots and holes for locking bars to T-Bar using #8 self-tapping screws (by others). Bars extend 14"-24". Ears will also accept Caddy Bar #520 for fast installation in T-Bar ceilings, bars extend 27".

Electronic ballast factory standard. *UL Listed* component.

Heavy gauge spun aluminum reflector with multi-groove baffle and self trimming white painted flange. Polished Flange available.

Electrogalvanized plated steel frame components with spring steel reflector clips for fast assembly of reflector.

**Rough in Kit – 7" Metal Halide (ED17; PAR20; PAR30; PAR38 Open Rated\* lamp). \*Note: 'Open Fixture Rated' lamp must be used.**  
Catalog Number **PA7MHO**

PA7MHO	Wattage	Ballast	Voltage	Options
150W MAX. PAR38		H♦	1	QS
100W PAR38		E	2	QR
70W PAR30, PAR38			3*	PR
50W PAR30			4	R
39W PAR20, PAR30				F
35W ED17				

- Ballast  
**H♦** Encased & Potted "F" Can  
**E** Electronic
- Voltage  
**1** 120 Volts  
**2** 277 Volts  
**3\*** 347 Volts  
**4** 208 Volts
- Options ▲  
**QS** Quartz Socket  
**QR** Quartz Restrike  
**PR** Plaster Ring  
**R** Remodeler  
**F** Fused

\* – 347V frame size - 14 1/2" x 17 3/4"

♦ – "F" Can Ballast available only in 150W: frame size – 16 3/4" x 17 3/4"

**Finishing Kit – 7" Metal Halide Deep Baffled Reflector**

Catalog Number **7550**

7550	Finish	Options
SCL/BL		PF
SGO/BL		GSK
SCL/WH		
SGO/WH		
WHT/WH		
WHT/BL		

Finish (Factory Standard)

- SCL/BL** Specular Clear "Alzak" with White Flange and Black Baffle  
**SGO/BL** Specular Gold "Alzak" with White Flange and Black Baffle  
**SCL/WH** Specular Clear "Alzak" with White Flange and White Baffle  
**SGO/WH** Specular Gold "Alzak" with White Flange and White Baffle  
**WHT/WH** White Reflector with White Flange and White Baffle  
**WHT/BL** White Reflector with White Flange and Black Baffle

Options ▲

- PF** High Polished Flange  
**GSK** Neoprene Foam Single Gasketing

### Features

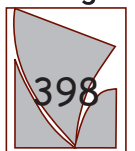
Manufactured and Listed to UL 1598, ETL and CSA standards.  
 Suitable for Damp Locations  
 Wet location under covered ceiling



▲ See Options and Finishes pages for a list of additional finishes and equipment.

Vantage reserves the right to change components, finishes or design details in any manner which does not alter the installed appearance or reduce performance and intended function.

Vantage



Luminaires

76 Community Avenue Plainfield, CT 06374  
 voice (860)564.4512 fax (860)564.4854  
 www.vantageitg.com

03/10