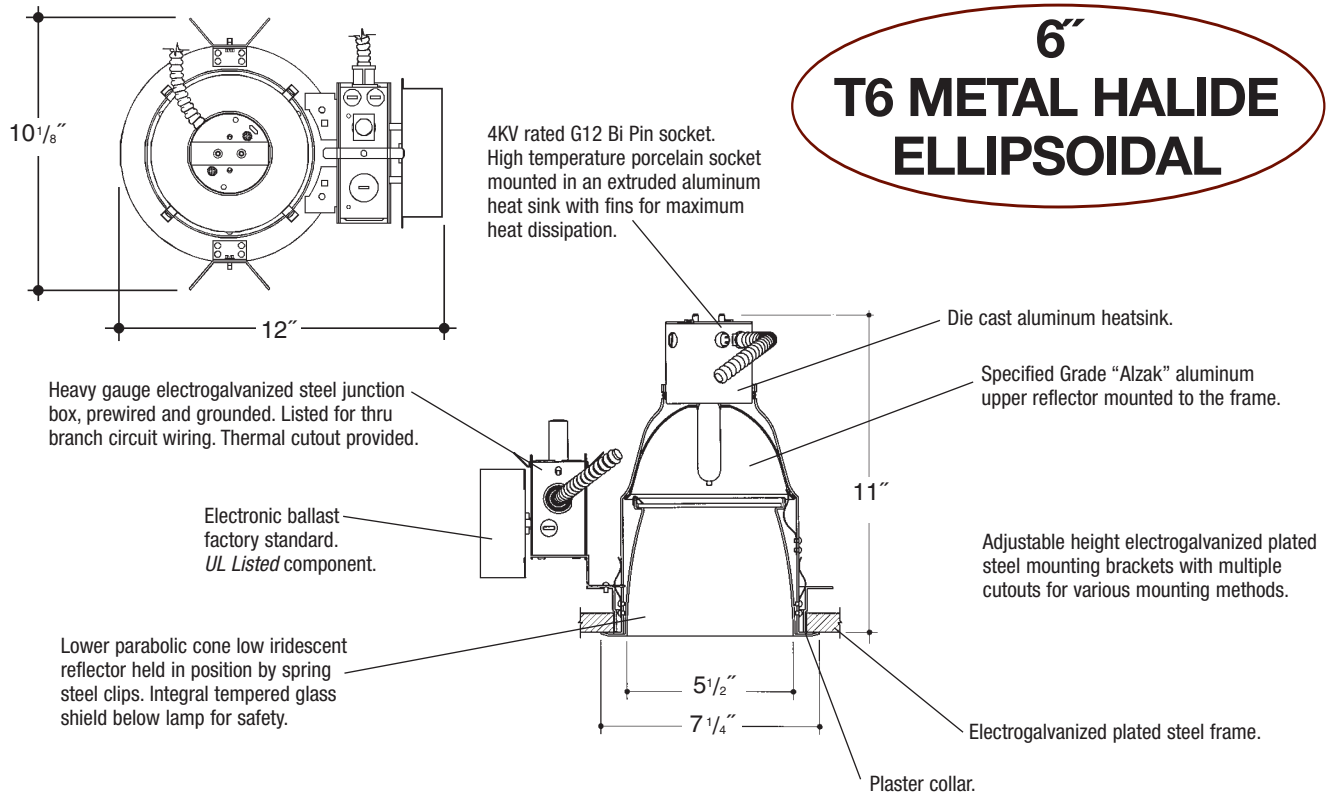


Architectural Grade

Job Name _____

Type _____



6"
T6 METAL HALIDE
ELLIPSOIDAL

Rough in Kit – 6" T6 Metal Halide Ellipsoidal Downlight (Enclosed Rated* Lamps). *Note: 'Enclosed Fixture Rated' lamp must be used.

Catalog Number **A6T6MHE**

A6T6MHE	Wattage	Ballast	Voltage	Options
	150W MAX. 70W 39W	E	1 2	QR

Ballast	E	Electronic
Voltage	1	120 Volts
	2	277 Volts
Options ▲	QR	Quartz Restrike

Finishing Kit – 6" Parabolic Lower Cone for T6 Metal Halide with Frosted Lens

Catalog Number **T6699**

Finish	Options
SCL SGO	PF GSK

Finish (Factory Standard)	SCL	Specular Clear "Alzak"
	SGO	Specular Gold "Alzak"
Options ▲	PF	High Polished Flange
	GSK	Neoprene Foam Single Gasketing

Features

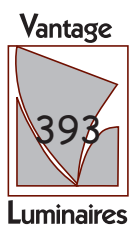
Manufactured and Listed to UL 1598, ETL and CSA standards. Suitable for Damp Locations. Wet location under covered ceiling.



▲ See Options and Finishes pages for a list of additional finishes and equipment.
Vantage reserves the right to change components, finishes or design details in any manner which does not alter the installed appearance or reduce performance and intended function.

76 Community Avenue Plainfield, CT 06374
voice (860)564.4512 fax (860)564.4854
www.vantageltg.com

03/10



Photometric Information

Product Number: A6T6MHE39E1/2-T6699SCL

Frame In Kit: 6" Vertical Mount HID T6

Reflector: 6" Vertical Clear "Alzak" w/ Frosted Lens

LTL Test Number:

Lamp(s) Source: (1) 39W Philips Metal Halide rated at 3400 lumens

Total Luminaire Efficiency: 64.0%

CIE Type: Direct

Luminaire Spacing Criterion: 0.6

Luminous Diameter: 6.625

Zonal Lumen Summary

ZONE	LUMENS	%LAMP	%FIXTURE
0-30	1650	48.53	75.77
0-40	2017	59.35	92.67
0-60	2176	64.02	99.96
0-90	2177	64.05	100.00
90-180	0	.00	.00
0-180	2177	64.05	100.00

Coefficients of Utilization

RC	80			70			50		30	0	
RW	70	50	30	10	70	50	30	10	50	10	
0	.76	.76	.76	.76	.74	.74	.71	.71	.68	.68	.64
1	.73	.72	.71	.70	.71	.68	.68	.66	.66	.64	.61
2	.71	.68	.66	.65	.67	.64	.65	.63	.63	.61	.59
3	.68	.65	.63	.61	.64	.60	.63	.59	.61	.58	.57
4	.66	.62	.59	.57	.61	.57	.60	.56	.59	.56	.54
5	.63	.59	.56	.54	.59	.54	.57	.53	.57	.53	.52
6	.61	.57	.54	.52	.56	.51	.55	.51	.55	.51	.50
7	.59	.54	.51	.49	.54	.49	.53	.49	.52	.48	.47
8	.57	.52	.49	.47	.51	.46	.51	.46	.50	.46	.45
9	.54	.49	.46	.44	.49	.44	.48	.44	.48	.44	.43
10	.52	.47	.44	.42	.47	.42	.46	.42	.46	.42	.41

