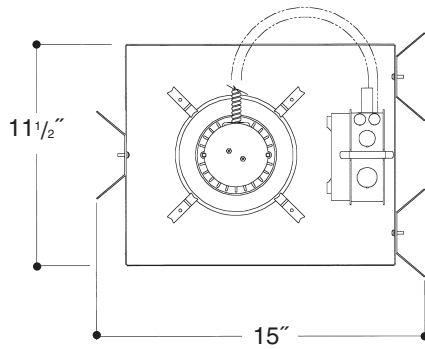


Architectural Grade

Job Name _____

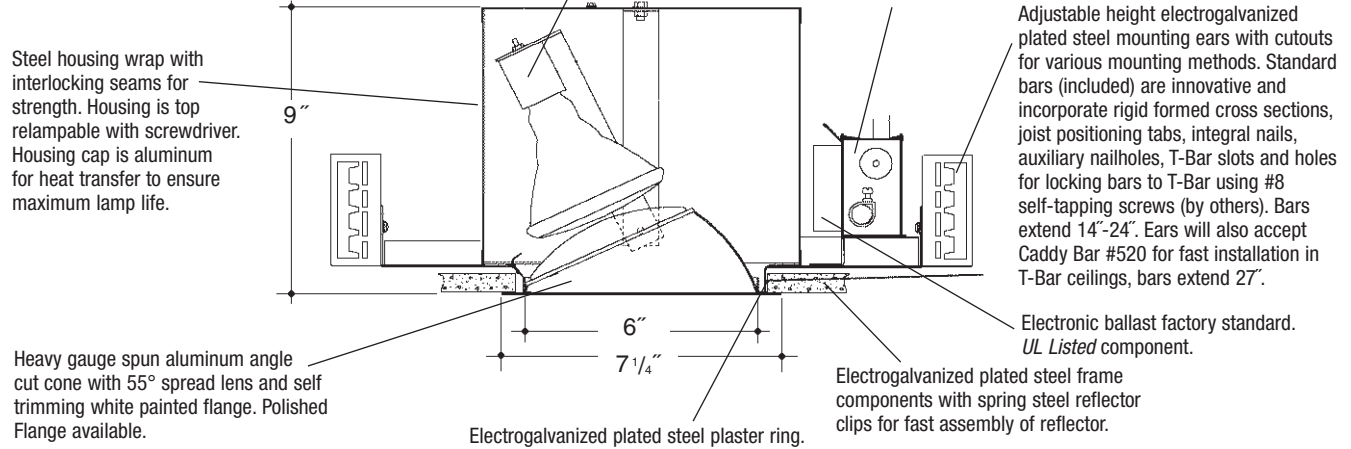
Type _____



UL Listed. Specification grade enclosed rated, pulse rated, 4KV, porcelain socket with nickel plated brass screw shell. Adjusts for 358° rotation and 35° elevation. High temperature wires connect to junction box.

6" SPREAD LENS WALL WASH METAL HALIDE

Heavy gauge electrogalvanized steel junction box, prewired and grounded with easy access from below. Listed for through branch circuit wiring. *UL Listed.* Thermal cutout provided.



Steel housing wrap with interlocking seams for strength. Housing is top relampable with screwdriver. Housing cap is aluminum for heat transfer to ensure maximum lamp life.

Adjustable height electrogalvanized plated steel mounting ears with cutouts for various mounting methods. Standard bars (included) are innovative and incorporate rigid formed cross sections, joist positioning tabs, integral nails, auxiliary nailholes, T-Bar slots and holes for locking bars to T-Bar using #8 self-tapping screws (by others). Bars extend 14"-24". Ears will also accept Caddy Bar #520 for fast installation in T-Bar ceilings, bars extend 27".

Heavy gauge spun aluminum angle cut cone with 55° spread lens and self trimming white painted flange. Polished Flange available.

Electrogalvanized plated steel plaster ring.

Electrogalvanized plated steel frame components with spring steel reflector clips for fast assembly of reflector.

Electronic ballast factory standard. *UL Listed* component.

Rough In Kit— 6" Metal Halide Adjustable Wall Wash (ED17; PAR20; PAR30; PAR38 Enclosed Rated* Lamps). *Note: 'Enclosed Fixture Rated' lamp must be used.

Catalog Number **PA6MHE-ADJ-WW**

PA6MHE-ADJ-WW

Wattage	Ballast	Voltage	Options
100W MAX. PAR38 70W PAR38, PAR30 50W PAR30 39W PAR38, PAR30 35W ED17	E	1 2 4	F

Ballast	Options
E Electronic	
Voltage	
1 120 Volts	
2 277 Volts	
4 208 Volts	
Options ▲	
F Fused	

Finishing Kit – 6" Metal Halide Angle Cut "Alzak" Cone 55° Spread Lens Wall Washer

Catalog Number **6037**

6037

Wattage	Options
SCL SGO WHT	PF GSK

Finish Options

SCL	Specular Clear "Alzak" with White Flange
SGO	Specular Gold "Alzak" with White Flange
WHT	White Reflector with White Flange

Options ▲

PF	High Polished Flange
GSK	Neoprene Foam Single Gasketing

Features

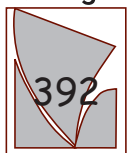
Manufactured and Listed to UL 1598, ETL and CSA standards. Suitable for Damp Locations Wet location under covered ceiling



▲ See Options and Finishes pages for a list of additional finishes and equipment.

Vantage reserves the right to change components, finishes or design details in any manner which does not alter the installed appearance or reduce performance and intended function.

Vantage



Luminaires

76 Community Avenue Plainfield, CT 06374
voice (860)564.4512 fax (860)564.4854
www.vantageitg.com

06/10