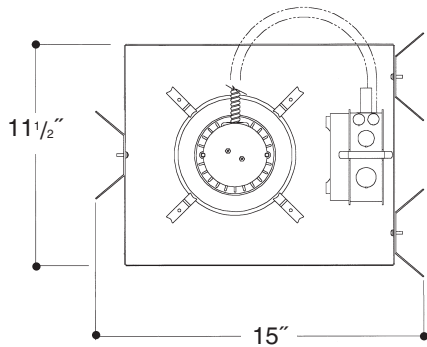


Architectural Grade

Job Name _____

Type _____

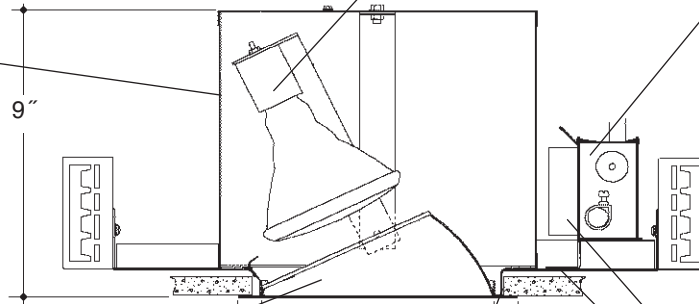


**6"
ADJUSTABLE
OR FIXED
HID**

UL Listed. Specification grade open rated, pulse rated, 4KV, porcelain socket with nickel plated brass screw shell. Adjusts for 358° rotation and 35° elevation. High temperature wires connect to junction box.

Heavy gauge electrogalvanized steel junction box, prewired and grounded with easy access from below. Listed for through branch circuit wiring. *UL Listed.* Thermal cutout provided.

Steel housing wrap with interlocking seams for strength. Housing is top relampable with screwdriver. Housing cap is aluminum for heat transfer to ensure maximum lamp life.



Adjustable height electrogalvanized plated steel mounting ears with cutouts for various mounting methods. Standard bars (included) are innovative and incorporate rigid formed cross sections, joist positioning tabs, integral nails, auxiliary nailholes, T-Bar slots and holes for locking bars to T-Bar using #8 self-tapping screws (by others). Bars extend 14"-24". Ears will also accept Caddy Bar #520 for fast installation in T-Bar ceilings, bars extend 27".

Heavy gauge spun aluminum angle cut "Alzak" cone or straight cut cone. Internal heat treated spring steel clips hold reflector tight to ceiling. White painted flange standard. Polished Flange available.

Electrogalvanized plated steel plaster ring.

Electronic ballast factory standard. *UL Listed* component.

Electrogalvanized plated steel frame components with spring steel reflector clips for fast assembly of reflector.

Rough In Kit – 6" Metal Halide Adjustable or Fixed (ED17; PAR20; PAR30; PAR38 Open Rated* Lamps) *Note: "Open Fixture Rated" lamp must be used.

Catalog Number **PA6MHO-ADJ**

PA6MHO-FIX

	Wattage	Ballast	Voltage	Options	Ballast Information
PA6MHO-ADJ Adjustable	100W MAX. PAR38 70W PAR30, PAR38	E	1 2 4	QR QS F	E Electronic Voltage 1 120 Volts 2 277 Volts 4 208 Volts Options ▲ QR Quartz Restrike QS Quartz Socket F Fused
PA6MHO-FIX Fixed	50W PAR30 39W PAR30, PAR20 35W ED17				

Finishing Kit – 6" Metal Halide Angle Cut "Alzak" Cone

Catalog Number **6030**

6060

	Finish	Options	Finish Options
6030 Angle Cut Cone (0°-45°)	SCL SGO WHT	PF GSK	SCL Specular Clear "Alzak" with White Flange SGO Specular Gold "Alzak" with White Flange WHT White Reflector with White Flange
6060 Straight Cut Cone (0°)			Options ▲ PF High Polished Flange Polished GSK Neoprene Foam Single Gasketing

Features

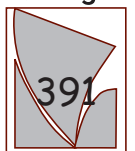
Manufactured and Listed to UL 1598, ETL and CSA standards. Suitable for Damp Locations Wet location under covered ceiling



▲ See Options and Finishes pages for a list of additional finishes and equipment.

Vantage reserves the right to change components, finishes or design details in any manner which does not alter the installed appearance or reduce performance and intended function.

Vantage



Luminaires

76 Community Avenue Plainfield, CT 06374
voice (860)564.4512 fax (860)564.4854
www.vantageitg.com

06/10