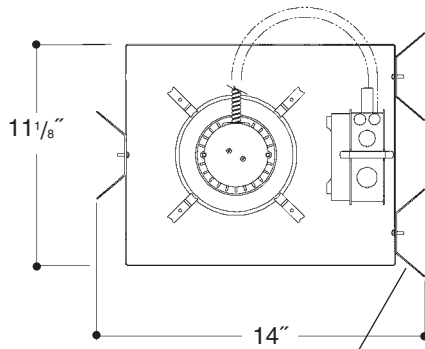


A r c h i t e c t u r a l G r a d e

Job Name _____

Type _____



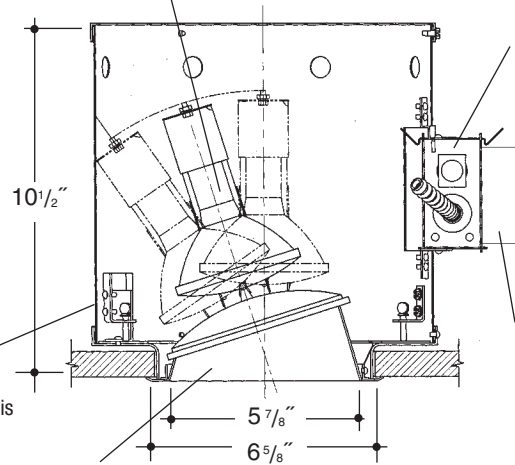
Adjustable height electrogalvanized plated steel mounting ears with cutouts for various mounting methods. Standard bars (included) are innovative and incorporate rigid formed cross sections, joist positioning tabs, integral nails, auxiliary nailholes, T-Bar slots and holes for locking bars to T-Bar using #8 self-tapping screws (by others). Bars extend 14"-24". Ears will also accept Caddy Bar #520 for fast installation in T-Bar ceilings, bars extend 27".

Steel housing wrap with interlocking seams for strength. Housing is top relampable with screwdriver. Housing cap is aluminum for heat transfer to ensure maximum lamp life.

Heavy gauge spun aluminum angle cut cone with 55° spread lens and self trimming white painted flange. Polished Flange available.

UL Listed. Specification grade encased rated, pulse rated, 4KV, porcelain socket with nickel plated brass screw shell. Adjusts for 358° rotation and 35° elevation. High temperature wires connect to junction box.

**5"
SPREAD LENS
WALL WASH
HID**



Heavy gauge electrogalvanized steel junction box, prewired and grounded with easy access from below. Listed for through branch circuit wiring. UL Listed. Thermal cutout provided.

Electronic ballast factory standard. UL Listed component.

Rough In Kit – 5" Metal Halide Adjustable Wall Wash (ED17; PAR20; PAR30 Lamps).

Catalog Number **PA5MHE-ADJ-WW**

PA5MHE-ADJ-WW

Wattage	Ballast	Voltage	Options
70W MAX. PAR30	E	1	F
50W PAR20		2	
39W PAR20, PAR30		4	
35W ED17			

Ballast	Electronic
E	Electronic
Voltage	
1	120 Volts
2	277 Volts
4	208 Volts
Options ▲	
F	Fused

Finishing Kit – 5" Metal Halide Angle Cut "Alzak" Cone 55° Spread Lens Wall Washer

Catalog Number **5037**

5037

Wattage	Options
SCL	PF
SGO	GSK
WHT	

Finish (Factory Standard)

SCL	Specular Clear "Alzak" with White Flange
SGO	Specular Gold "Alzak" with White Flange
WHT	White Reflector with White Flange

Options ▲

PF	High Polished Flange
GSK	Neoprene Foam Single Gasketing

Features

Manufactured and Listed to UL 1598, ETL and CSA standards.
Suitable for Damp Locations
Wet location under covered ceiling



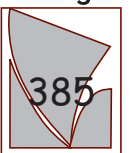
▲ See Options and Finishes pages for a list of additional finishes and equipment.

Vantage reserves the right to change components, finishes or design details in any manner which does not alter the installed appearance or reduce performance and intended function.

76 Community Avenue Plainfield, CT 06374
voice (860)564.4512 fax (860)564.4854
www.vantageltg.com

03/10

Vantage



Luminaires