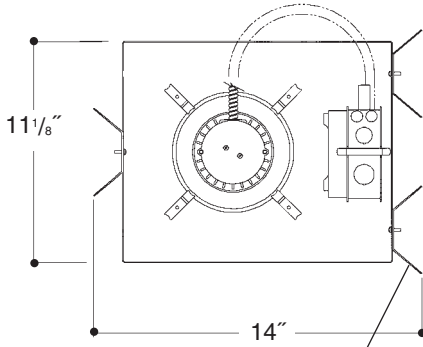


Architectural Grade

Job Name _____

Type _____

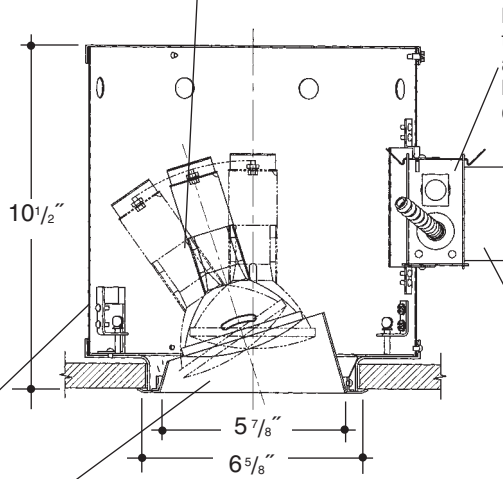


Adjustable height electrogalvanized plated steel mounting ears with cutouts for various mounting methods. Standard bars (included) are innovative and incorporate rigid formed cross sections, joist positioning tabs, integral nails, auxiliary nailholes, T-Bar slots and holes for locking bars to T-Bar using #8 self-tapping screws (by others). Bars extend 14"-24". Ears will also accept Caddy Bar #520 for fast installation in T-Bar ceilings, bars extend 27".

Steel housing wrap with interlocking seams for strength. Housing is top relampable with screwdriver. Housing cap is aluminum for heat transfer to ensure maximum lamp life.

UL Listed. Specification grade open rated, pulse rated, 4KV, porcelain socket with nickel plated brass screw shell. Adjusts for 358° rotation and 35° elevation. High temperature wires connect to junction box.

5" ADJUSTABLE HID



Heavy gauge electrogalvanized steel junction box, prewired and grounded with easy access from below. Listed for through branch circuit wiring. UL Listed. Thermal cutout provided.

Electronic ballast factory standard. UL Listed component.

Heavy gauge spun aluminum angle cut "Alzak" cone. Internal heat treated spring steel clips hold reflector tight to ceiling. White painted flange standard. Polished Flange available.

Mounting Frame – 5" Metal Halide Adjustable (ED17; PAR20; PAR30 Open Rated* Lamps) *Note: 'Open Fixture Rated' lamp must be used.

Catalog Number **PA5MH0-ADJ**

PA5MH0-ADJ	Wattage	Ballast	Voltage	Options	Ballast	
	70W MAX. PAR30	E	1	F	E	Electronic
	50W PAR20		2		1	120 Volts
	39W PAR20, PAR30		4		2	277 Volts
	35W ED17				4	208 Volts
					Options ▲	
					F	Fused

Finishing Kit – 5" Metal Halide Angle Cut "Alzak" Cone

Catalog Number **A5030**

A5030	Wattage	Options	Finish (Factory Standard)
	SCL	PF	SCL Specular Clear "Alzak" with White Flange
	SGO	GSK	SGO Specular Gold "Alzak" with White Flange
	WHT		WHT White Reflector with White Flange
			Options ▲
			PF High Polished Flange
			GSK Neoprene Foam Single Gasketing

Features

Manufactured and Listed to UL 1598, ETL and CSA standards. Suitable for Damp Locations Wet location under covered ceiling



▲ See Options and Finishes pages for a list of additional finishes and equipment.

Vantage reserves the right to change components, finishes or design details in any manner which does not alter the installed appearance or reduce performance and intended function.

76 Community Avenue Plainfield, CT 06374
 voice (860)564.4512 fax (860)564.4854
 www.vantageitg.com

03/10

