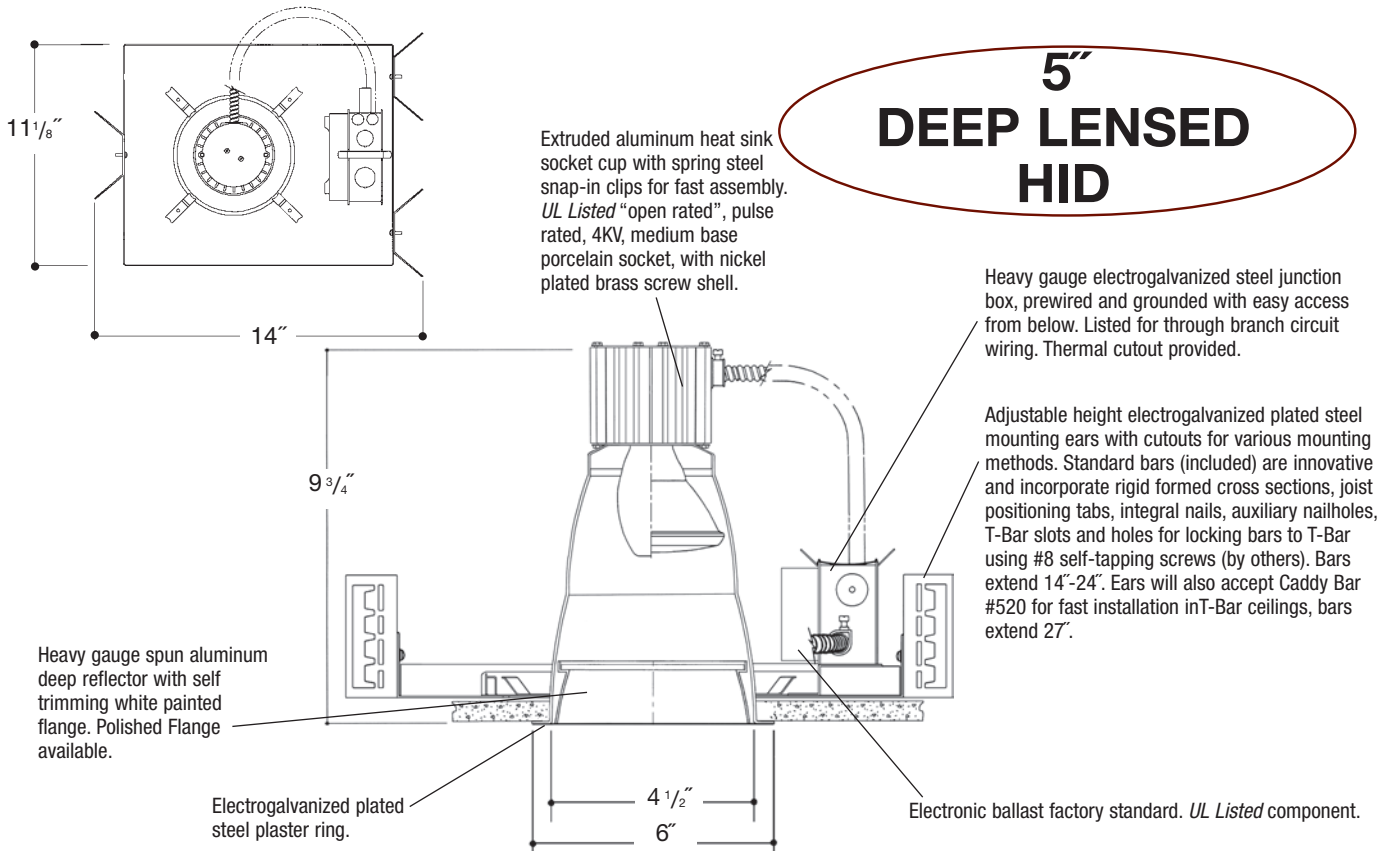


Architectural Grade

Job Name _____

Type _____



Rough In Kit – 5" HID (ED17; PAR20; PAR30 Enclosed Rated* Lamps) *Note: 'Enclosed Fixture Rated' lamp must be used.

Catalog Number **A5MHE**

A5MHE	Wattage	Ballast	Voltage	Options	Ballast E Voltage	Electronic
	39W MAX. PAR20, PAR30	E	1		1	120 Volts
	35W ED17		2		2	277 Volts
			4		4	208 Volts
					Options ▲	

PAR Lamp – Add P – PA5MHO

Finishing Kit – 5" HID Deep Lensed Reflector

Catalog Number **55**

55	Lens	Finish	Options	Finish (Factory Standard)
	5511 - Tempered Clear Lens	SCL	PF	SCL Specular Clear "Alzak" Splay with White Flange
	5514 - Tempered Prismatic Lens (C73 Pattern)	SGO	GSK	SGO Specular Gold "Alzak" Splay with White Flange
	5516 - Fresnel Lens	WHT	DGSK	WHT White Splay with White Flange
				Options ▲
				PF High Polished Flange
				GSK Neoprene Foam Single Gasketing
				DGSK Neoprene Foam Double Gasketing

Features

Manufactured and Listed to UL 1598, ETL and CSA standards.
Suitable for Damp Locations
Wet location under covered ceiling



▲ See Options and Finishes pages for a list of additional finishes and equipment.

Vantage reserves the right to change components, finishes or design details in any manner which does not alter the installed appearance or reduce performance and intended function.

76 Community Avenue Plainfield, CT 06374
voice (860)564.4512 fax (860)564.4854
www.vantageitg.com

03/10

