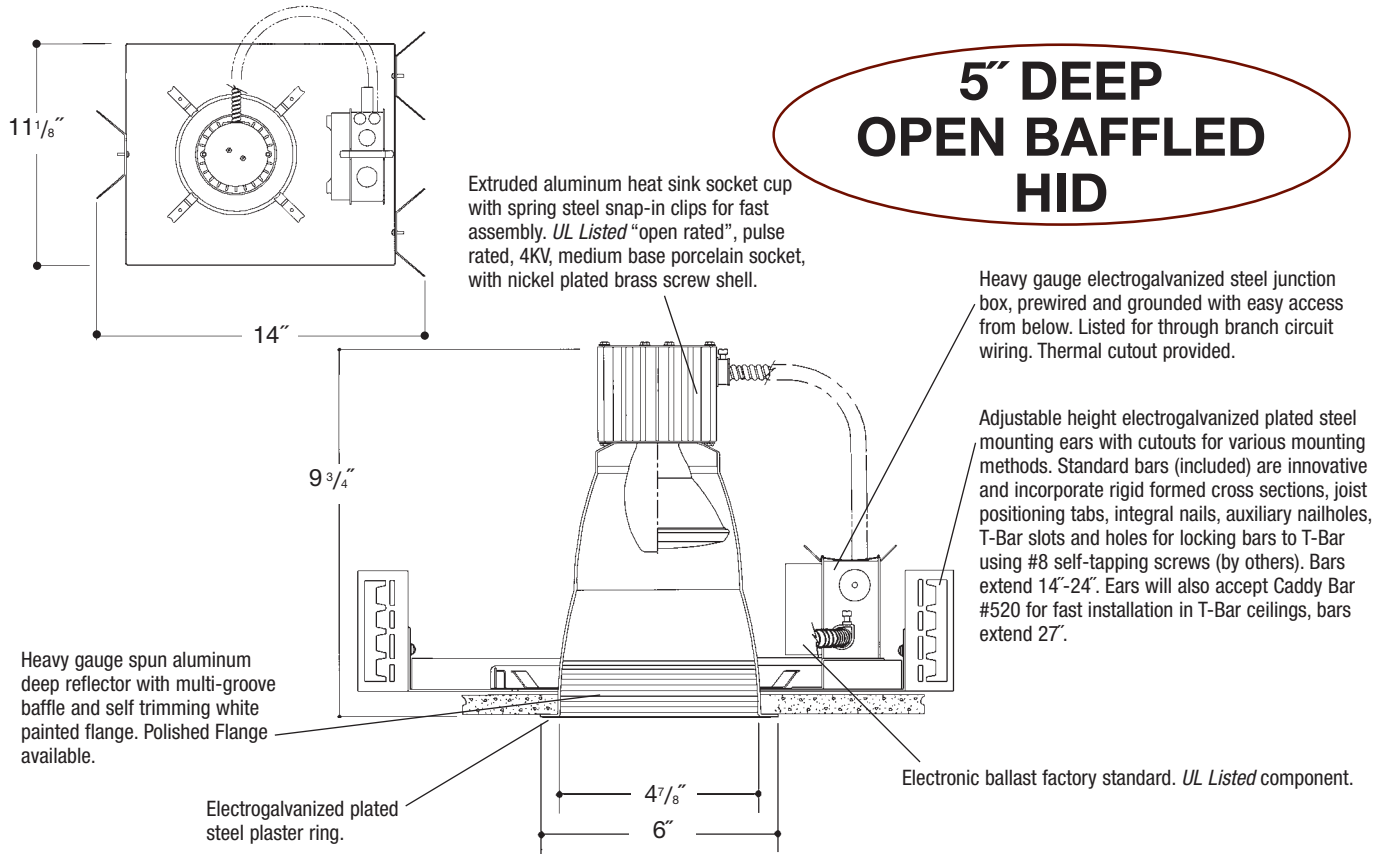


Architectural Grade

Job Name _____

Type _____



Rough In Kit – 5" HID (ED17; PAR20; PAR30 Open Rated* Lamps) *Note: 'Open Fixture Rated' lamp must be used.

Catalog Number **A5MH0**

A5MH0

Wattage	Ballast	Voltage	Options
70W MAX. PAR30, ED17	E	1	
50W ED17		2	
39W PAR20, PAR30		4	
35W ED17			

Ballast	Electronic
E	Electronic
Voltage	
1	120 Volts
2	277 Volts
4	208 Volts
Options ▲	

PAR Lamp – Add P – PA5MH0

Finishing Kit – 5" HID Deep Open Baffled Reflector

Catalog Number **5550**

5550

Finish	Options
SCL/BL	PF
SGO/BL	GSK
SCL/WH	
SGO/WH	
WHT/WH	
WHT/BL	

Finish (Factory Standard)

SCL/BL	Specular Clear "Alzak" with White Flange and Black Baffle
SGO/BL	Specular Gold "Alzak" with White Flange and Black Baffle
SCL/WH	Specular Clear "Alzak" with White Flange and White Baffle
SGO/WH	Specular Gold "Alzak" with White Flange and White Baffle
WHT/WH	White Reflector with White Flange and White Baffle
WHT/BL	White Reflector with White Flange and Black Baffle

Options ▲

PF	High Polished Flange
GSK	Neoprene Foam Single Gasketing

Features

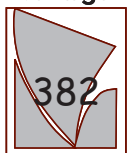
Manufactured and Listed to UL 1598, ETL and CSA standards. Suitable for Damp Locations Wet location under covered ceiling



▲ See Options and Finishes pages for a list of additional finishes and equipment.

Vantage reserves the right to change components, finishes or design details in any manner which does not alter the installed appearance or reduce performance and intended function.

Vantage



Luminaires

76 Community Avenue Plainfield, CT 06374
 voice (860)564.4512 fax (860)564.4854
 www.vantageitg.com

03/10