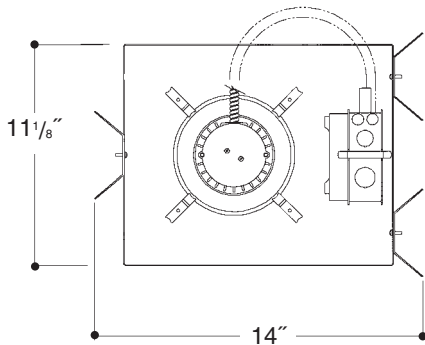


Architectural Grade

Job Name _____

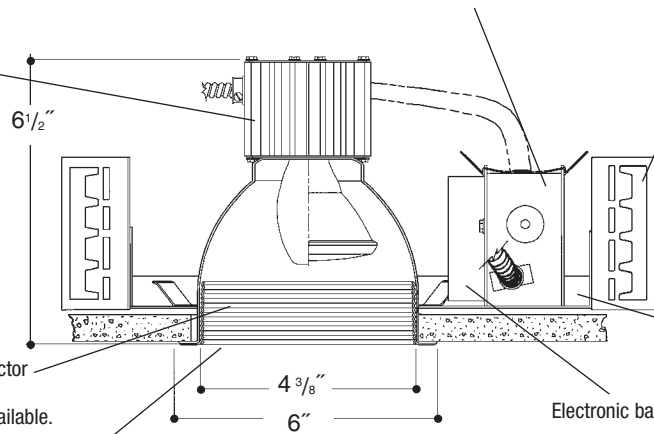
Type _____



5" SHALLOW OPEN BAFFLED HID

Heavy gauge electrogalvanized steel junction box, prewired and grounded with easy access from below. Listed for through branch circuit wiring. Thermal cutout provided.

Extruded aluminum heat sink socket cup with spring steel snap-in clips for fast assembly. *UL Listed* "open rated", pulse rated, 4KV, medium base porcelain socket, with nickel plated brass screw shell.



Adjustable height electrogalvanized plated steel mounting ears with cutouts for various mounting methods. Standard bars (included) are innovative and incorporate rigid formed cross sections, joist positioning tabs, integral nails, auxiliary nailholes, T-Bar slots and holes for locking bars to T-Bar using #8 self-tapping screws (by others). Bars extend 14"-24". Ears will also accept Caddy Bar #520 for fast installation in T-Bar ceilings, bars extend 27".

Heavy gauge spun aluminum reflector with multi-groove baffle and white painted flange. Polished Flange available.

Electrogalvanized plated steel frame components with spring steel reflector clips for fast assembly of reflector.

Electrogalvanized plated steel plaster ring.

Electronic ballast factory standard. *UL Listed* component.

Rough In Kit – 5" HID (ED17; PAR20; PAR30 Open Rated* Lamps) *Note: 'Open Fixture Rated' lamp must be used.

Catalog Number **A5MH0**

A5MH0	Wattage	Ballast	Voltage	Options	Ballast	Electronic
	70W MAX. PAR30, ED17	E	1		E	120 Volts
	50W PAR30, ED17		2			277 Volts
	39W PAR20, PAR30		4			208 Volts
	35W ED17				Options ▲	

PAR Lamp – Add P – PA5MH0

Finishing Kit – 5" HID Open Baffled Reflector

Catalog Number **5350**

5350	Finish	Options	Finish (Factory Standard)
	SCL/BL	PF	SCL/BL Specular Clear "Alzak" with White Flange and Black Baffle
	SGO/BL	GSK	SGO/BL Specular Gold "Alzak" with White Flange and Black Baffle
	SCL/WH		SCL/WH Specular Clear "Alzak" with White Flange and White Baffle
	SGO/WH		SGO/WH Specular Gold "Alzak" with White Flange and White Baffle
	WHT/WH		WHT/WH White Reflector with White Flange and White Baffle
	WHT/BL		WHT/BL White Reflector with White Flange and Black Baffle
		Options ▲	
		PF	High Polished Flange
		GSK	Neoprene Foam Single Gasketing

Features

Manufactured and Listed to UL 1598, ETL and CSA standards.
Suitable for Damp Locations
Wet location under covered ceiling



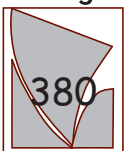
▲ See Options and Finishes pages for a list of additional finishes and equipment.

Vantage reserves the right to change components, finishes or design details in any manner which does not alter the installed appearance or reduce performance and intended function.

76 Community Avenue Plainfield, CT 06374
voice (860)564.4512 fax (860)564.4854
www.vantageitg.com

03/10

Vantage



Luminaires