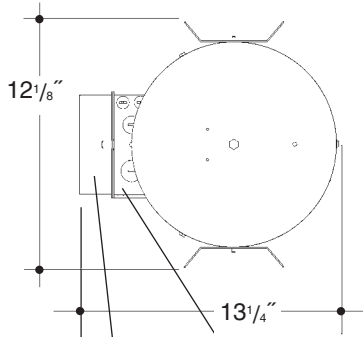


A r c h i t e c t u r a l G r a d e

Job Name _____

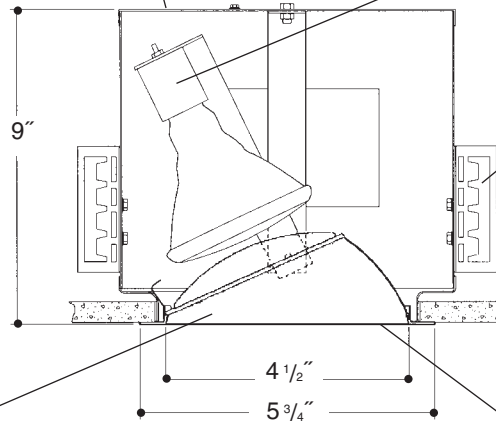
Type _____



Electronic ballast factory standard. *UL Listed* component.

Heavy gauge electrogalvanized steel junction box, prewired and grounded with easy access from below. Listed for through branch circuit wiring. *UL Listed*. Thermal cutout provided.

Steel housing wrap with interlocking seams for strength. Housing is top relampable with screwdriver. Housing cap is aluminum for heat transfer to ensure maximum lamp life.



Heavy gauge spun aluminum angle cut "Alzak" cone with tempered glass 55° spread lens and integral white painted flange.

4" SPREAD LENS WALL WASHER METAL HALIDE

UL Listed. Specification grade open rated, pulse rated, 4KV, porcelain socket with nickel plated brass screw shell. Adjusts for 358° rotation and 35° elevation. High temperature wires connect to junction box.

Adjustable height electrogalvanized plated steel mounting ears with cutouts for various mounting methods. Standard bars (included) are innovative and incorporate rigid formed cross sections, joist positioning tabs, integral nails, auxiliary nailholes, T-Bar slots and holes for locking bars to T-Bar using #8 self-tapping screws (by others). Bars extend 14"-24". Ears will also accept Caddy Bar #520 for fast installation in T-Bar ceilings, bars extend 27".

Aluminum frame with Integral Plaster Ring.

Rough in Kit – 4" Metal Halide Adjustable Wall Wash (ED17; PAR20; Enclosed Rated* Lamps)

Catalog Number **PA4MHE-ADJ-WW**

PA4MHE-ADJ-WW

Wattage

39W PAR20, PAR30
35W ED17

Ballast

E

Voltage

1
2
4

Options

Options

E
Voltage
1
2
4
Options ▲

Electronic
120 Volts
277 Volts
208 Volts

Finishing Kit – 4" Metal Halide Angle Cut "Alzak" Cone 55° Spread Lens Wall Wash

Catalog Number **4037**

4037

Finish

SCL
SGO
WHT

Options

PF
GSK

Finish (Factory Standard)

SCL Specular Clear "Alzak" with White Flange
SGO Specular Gold "Alzak" with White Flange
WHT White Reflector with White Flange

Options ▲

PF High Polished Flange
GSK Neoprene Foam Single Gasketing

Features

Manufactured and Listed to UL 1598, ETL and CSA standards.
Suitable for Damp Locations
Wet location under covered ceiling



▲ See Options and Finishes pages for a list of additional finishes and equipment.

Vantage reserves the right to change components, finishes or design details in any manner which does not alter the installed appearance or reduce performance and intended function.

Vantage



Luminaires

76 Community Avenue Plainfield, CT 06374
voice (860)564.4512 fax (860)564.4854
www.vantageitg.com

03/10