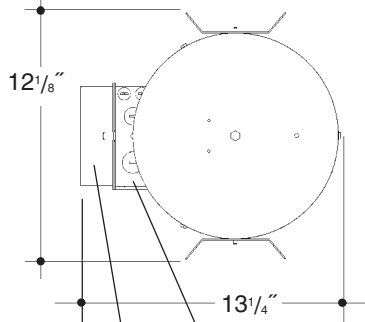


A r c h i t e c t u r a l G r a d e

Job Name _____

Type _____

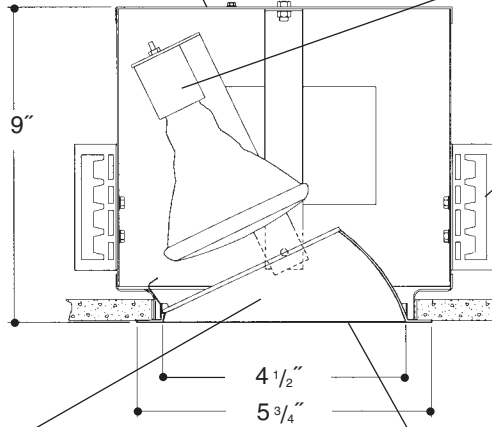


Electronic ballast factory standard. *UL Listed* component.

Heavy gauge electrogalvanized steel junction box, prewired and grounded with easy access from below. Listed for thru branch circuit wiring. *UL Listed*. Thermal cutout provided.

Steel housing wrap with interlocking seams for strength. Housing is top relampable with screwdriver. Housing cap is aluminum for heat transfer to ensure maximum lamp life.

4" ADJUSTABLE METAL HALIDE



UL Listed. Specification grade open rated, pulse rated, 4KV, porcelain socket with nickel plated brass screw shell. Adjusts for 358° rotation and 35° elevation. High temperature wires connect to junction box.

Adjustable height electrogalvanized plated steel mounting ears with cutouts for various mounting methods. Standard bars (included) are innovative and incorporate rigid formed cross sections, joist positioning tabs, integral nails, auxiliary nailholes, T-Bar slots and holes for locking bars to T-Bar using #8 self-tapping screws (by others). Bars extend 14"-24". Ears will also accept Caddy Bar #520 for fast installation in T-Bar ceilings, bars extend 27".

Heavy gauge spun aluminum angle cut "Alzak" cone. Internal heat treated spring steel clips hold reflector tight to ceiling. White painted flange standard. Polished Flange available.

Aluminum frame with Integral Plaster Ring.

Rough In Kit – 4" Metal Halide Adjustable (ED17; PAR20; PAR30 Open Rated* Lamps)

Catalog Number **PA4MHO-ADJ**

PA4MHO-ADJ

Wattage	Ballast	Voltage	Options
50W MAX. PAR30	E	1	
39W PAR20, PAR30		2	
35W ED17		4	

Ballast	Options
E	Electronic
1	120 Volts
2	277 Volts
4	208 Volts
Options ▲	

Finishing Kit – 4" Metal Halide Angle Cut "Alzak" Cone

Catalog Number **4030**

4030

Finish	Options
SCL	PF
SGO	GSK
WHT	

Finish (Factory Standard)

SCL	Specular Clear "Alzak" with White Flange
SGO	Specular Gold "Alzak" with White Flange
WHT	White Reflector with White Flange

Options ▲

PF	High Polished Flange
GSK	Neoprene Foam Single Gasketing

Features

Manufactured and Listed to UL 1598, ETL and CSA standards. Suitable for Damp Locations. Wet location under covered ceiling



▲ See Options and Finishes pages for a list of additional finishes and equipment.

Vantage reserves the right to change components, finishes or design details in any manner which does not alter the installed appearance or reduce performance and intended function.

Vantage



Luminaires

76 Community Avenue Plainfield, CT 06374
 voice (860)564.4512 fax (860)564.4854
 www.vantageitg.com

03/10