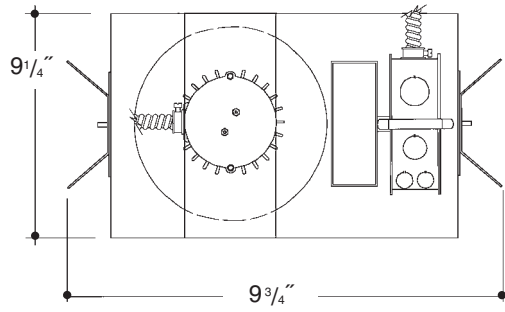


Architectural Grade

Job Name _____

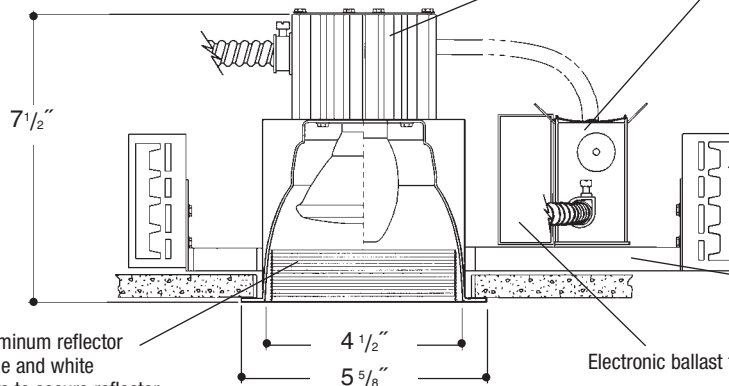
Type _____



4" OPEN BAFFLED HID

Extruded aluminum heat sink socket cup with spring steel snap-in clips for fast assembly. *UL Listed* "open rated", pulse rated, 4KV, medium base porcelain socket, with nickel plated brass screw shell.

Heavy gauge electrogalvanized steel junction box, prewired and grounded with easy access from below. Listed for through branch circuit wiring. Thermal cutout provided.



Adjustable height electrogalvanized plated steel mounting ears with cutouts for various mounting methods. Standard bars (included) are innovative and incorporate rigid formed cross sections, joist positioning tabs, integral nails, auxiliary nailholes, T-Bar slots and holes for locking bars to T-Bar using #8 self-tapping screws (by others). Bars extend 14"-24". Ears will also accept Caddy Bar #520 for fast installation in T-Bar ceilings, bars extend 27".

Heavy gauge spun aluminum reflector with multi-groove baffle and white painted flange. Keyslots to secure reflector. Polished Flange available.

Aluminum frame with Integral Electrogalvanized Plated Steel Plaster Ring.

Electronic ballast factory standard. *UL Listed* component.

Rough In Kit – 4" HID (ED17; PAR20; PAR30 Open Rated* Lamps) *Note: 'Open Fixture Rated' lamp must be used.

Catalog Number **A4MH0**

A4MH0	Wattage	Ballast	Voltage	Options	Ballast	
	50W MAX. PAR30, ED17	E	1		E	Electronic
	39W PAR20, PAR30		2		1	120 Volts
	35W ED17		4		2	277 Volts
					4	208 Volts
					Options ▲	

PAR Lamp – Add P – PA4MH0

Finishing Kit – 4" HID Open Baffled Reflector

Catalog Number **4450**

4450	Finish	Options	Finish (Factory Standard)
	SCL/BL	PF	SCL/BL Specular Clear "Alzak" with White Flange and Black Baffle
	SGO/BL	GSK	SGO/BL Specular Gold "Alzak" with White Flange and Black Baffle
	SCL/WH		SCL/WH Specular Clear "Alzak" with White Flange and White Baffle
	SGO/WH		SGO/WH Specular Gold "Alzak" with White Flange and White Baffle
	WHT/WH		WHT/WH White Reflector with White Flange and White Baffle
	WHT/BL		WHT/BL White Reflector with White Flange and Black Baffle
			Options ▲
			PF High Polished Flange
			GSK Neoprene Foam Single Gasketing

Features

Manufactured and Listed to UL 1598, ETL and CSA standards. Suitable for Damp Locations Wet location under covered ceiling



▲ See Options and Finishes pages for a list of additional finishes and equipment.

Vantage reserves the right to change components, finishes or design details in any manner which does not alter the installed appearance or reduce performance and intended function.

76 Community Avenue Plainfield, CT 06374
 voice (860)564.4512 fax (860)564.4854
 www.vantageitg.com

03/10

