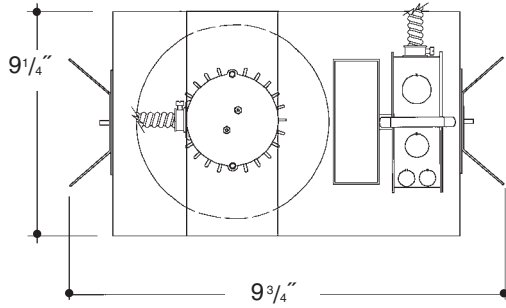


# Architectural Grade

Job Name \_\_\_\_\_

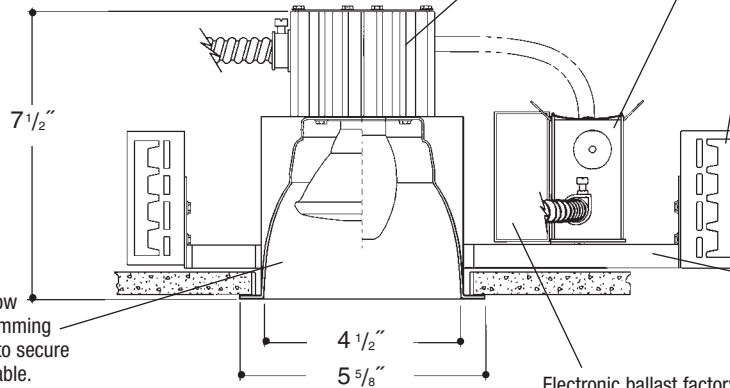
Type \_\_\_\_\_



**4" OPEN HID**

Extruded aluminum heat sink socket cup with spring steel snap-in clips for fast assembly. *UL Listed* "open rated", pulse rated, 4KV, medium base porcelain socket, with nickel plated brass screw shell.

Heavy gauge electrogalvanized steel junction box, prewired and grounded with easy access from below. Listed for through branch circuit wiring. Thermal cutout provided.



Adjustable height electrogalvanized plated steel mounting ears with cutouts for various mounting methods. Standard bars (included) are innovative and incorporate rigid formed cross sections, joist positioning tabs, integral nails, auxiliary nailholes, T-Bar slots and holes for locking bars to T-Bar using #8 self-tapping screws (by others). Bars extend 14"-24". Ears will also accept Caddy Bar #520 for fast installation in T-Bar ceilings, bars extend 27".

Heavy gauge spun aluminum low iridescent reflector with self trimming white painted flange. Keyslots to secure reflector. Polished Flange available.

Aluminum frame with Integral Electrogalvanized Plated Steel Plaster Ring.

Electronic ballast factory standard. *UL Listed* component.

**Rough In Kit – 4" HID (ED17; PAR20; PAR30 Open Rated\* Lamps) \*Note: 'Open Fixture Rated' lamp must be used.**

Catalog Number **A4MH0**

A4MH0	Wattage	Ballast	Voltage	Options	Ballast	
					E	Electronic
					1	120 Volts
					2	277 Volts
					4	208 Volts
					Options ▲	

**PAR Lamp – Add P – PA4MH0**

**Finishing Kit – 4" HID Open Reflector**

Catalog Number **4400**

4400	Finish	Options	Finish (Factory Standard)
	SCL	PF	<b>SCL</b> Specular Clear "Alzak" with White Flange
	SGO	GSK	<b>SGO</b> Specular Gold "Alzak" with White Flange
	WHT		<b>WHT</b> White Reflector with White Flange
			Options ▲
			<b>PF</b> High Polished Flange
			<b>GSK</b> Neoprene Foam Single Gasketing

**Features**

Manufactured and Listed to UL 1598, ETL and CSA standards. Suitable for Damp Locations Wet location under covered ceiling



▲ See Options and Finishes pages for a list of additional finishes and equipment.

Vantage reserves the right to change components, finishes or design details in any manner which does not alter the installed appearance or reduce performance and intended function.

76 Community Avenue Plainfield, CT 06374  
 voice (860)564.4512 fax (860)564.4854  
 www.vantageitg.com

03/10

