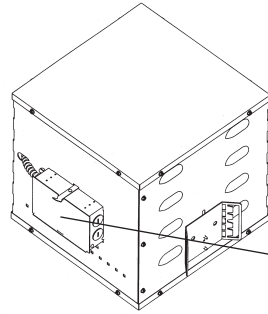
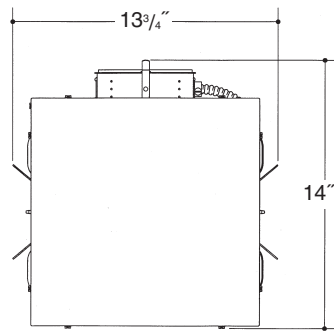


Architectural Grade

Job Name _____

Type _____



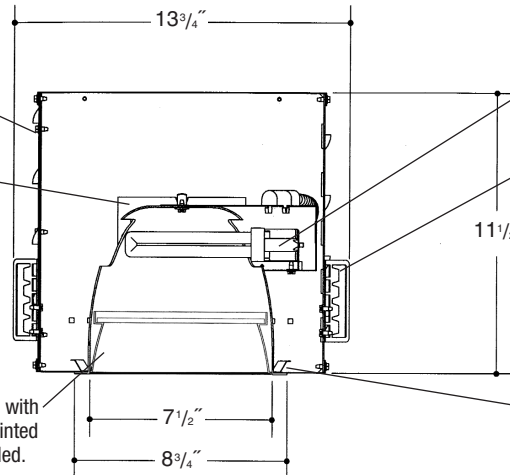
**8" H.F. 2 LT
LENSED
IC-RATED**

Heavy gauge electrogalvanized steel junction box, prewired and grounded with easy access from below, listed for through branch circuit wiring.

IC-Rated formed, vented, aluminum housing.

Electronic ballast, Class P, 50/60 HZ-120/277, Programmed Start, thermally protected, 98% Power Factor, 1.00 Ballast Factor, <10% THD, Class A sound rated. Minimum starting temperature -18°C/0°F. *UL Listed component.*

Heavy gauge spun aluminum low iridescent reflector with self trimming flanged splay/lens holder and white painted flange. Polished Flange available. Safety chain provided.



Aluminum socket housing with zinc plated steel quick assembly hardware. *UL Listed* socket and electrical connectors.

Adjustable height electrogalvanized plated steel mounting ears with cutouts for various mounting methods. Standard bars (included) are innovative and incorporate rigid formed cross sections, joist positioning tabs, integral nails, auxiliary nailholes, T-Bar slots and holes for locking bars to T-Bar using #8 self-tapping screws (by others). Bars extend 14"-24". Ears will also accept Caddy Bar #520 for fast installation in T-Bar ceilings, bars extend 27".

Electrogalvanized plated steel frame.

Rough in Kit – 8" Horizontal Fluorescent IC-Rated 2-Lamp (Compact Fluorescent Twin, Quad Tube or Triple Tube)

Catalog Number **AIC8HF2**

AIC8HF2	Wattage	Ballast	Voltage	Options
	42W MAX. PLT	E	1	F
	32W PLT	DA	2	CP
	26W DTT		3	PR
	18W DTT		4	EM
	13"W TT, DTT			

Ballast	
E	Electronic (4 Pin Lamp)
DA	Dimming - Advance Mark X (4 Pin Lamp)
*	13 Watt Advance Mark VII Only
Voltage	
1	120 Volts
2	277 Volts
3	347 Volts (Electronic Ballast only)
4	208 Volts (Electronic Ballast Only)
Options ▲	
F	Fused
CP	Chicago Plenum
PR	Plaster Ring
EM	Emergency Battery

1-Lamp - Replace **AIC8HF2** with **AIC8HF1**

Electronic Multi-Tap Ballast 120V Thru 277V Factory Standard

Finishing Kit – 8" Horizontal Fluorescent Lensed Reflector – clear reflector standard with self trim flange

Catalog Number **86**

86	Lens	Finish	Options
	8681 - Tempered Clear Lens	SCL	PF
	8684 - Tempered Prismatic Lens (C73 Pattern)	SGO	DGSK
	8686 - Fresnel Lens	SGC	
		WHT	

Finish (Factory Standard)	
SCL	Specular Clear "Alzak" Splay
SGO	Specular Gold "Alzak" Splay
SGC	Soft Glow Clear "Alzak" Splay
WHT	White Splay
Options ▲	
PF	High Polished Flange
DGSK	Neoprene Foam Double Gasketing

Features

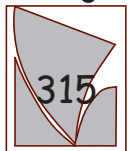
Manufactured and Listed to UL 1598, ETL and CSA standards. Suitable for Damp Locations Wet location under covered ceiling



▲ See Options and Finishes pages for a list of additional finishes and equipment.

Vantage reserves the right to change components, finishes or design details in any manner which does not alter the installed appearance or reduce performance and intended function.

Vantage



76 Community Avenue Plainfield, CT 06374
voice (860)564.4512 fax (860)564.4854
www.vantageitg.com

07/10

Luminaires