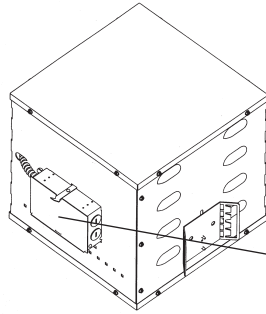
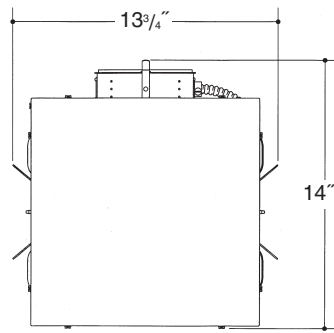


Architectural Grade

Job Name _____

Type _____



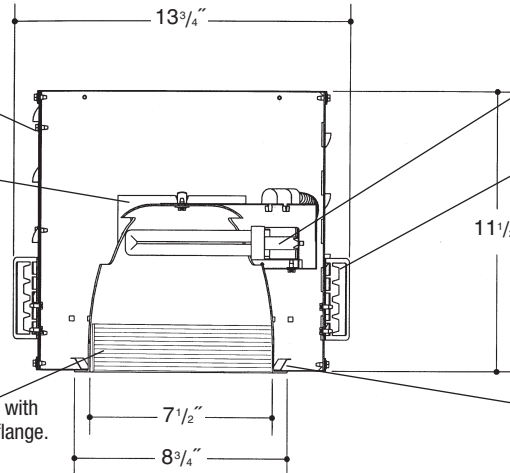
8" H.F. 2 LT OPEN BAFFLED IC-RATED

Heavy gauge electrogalvanized steel junction box, prewired and grounded with easy access from below, listed for through branch circuit wiring.

IC-Rated formed, vented, aluminum housing.

Electronic ballast, Class P, 50/60 HZ-120/277, Programmed Start, thermally protected, 98% Power Factor, 1.00 Ballast Factor, <10% THD, Class A sound rated. Minimum starting temperature -18°C/0°F. *UL Listed component.*

Heavy gauge spun aluminum low iridescent reflector with multi-groove baffle and self trimming white painted flange. Polished Flange available.



Aluminum socket housing with zinc plated steel quick assembly hardware. *UL Listed socket and electrical connectors.*

Adjustable height electrogalvanized plated steel mounting ears with cutouts for various mounting methods. Standard bars (included) are innovative and incorporate rigid formed cross sections, joist positioning tabs, integral nails, auxiliary nailholes, T-Bar slots and holes for locking bars to T-Bar using #8 self-tapping screws (by others). Bars extend 14"-24". Ears will also accept Caddy Bar #520 for fast installation in T-Bar ceilings, bars extend 27".

Electrogalvanized plated steel frame.

Rough in Kit – 8" Horizontal Fluorescent IC-Rated 2-Lamp (Compact Fluorescent Twin, Quad Tube or Triple Tube)

Catalog Number **AIC8HF2**

AIC8HF2	Wattage	Ballast	Voltage	Options
	42W MAX. PLT	E	1	CP
	32W PLT	DA	2	F
	26W DTT		3	PR
	18W DTT		4	EMI
	13"W TT, DTT			

Ballast	
E	Electronic (4 Pin Lamp)
DA	Dimming - Advance Mark X (4 Pin Lamp)
*	13 Watt Advance Mark VII Only
Voltage	
1	120 Volts
2	277 Volts
3	347 Volts (Electronic Ballast only)
4	208 Volts (Electronic Ballast Only)
Options ▲	
CP	Chicago Plenum
F	Fused
PR	Plaster Ring
EMI	Internal Mounted Emergency Test Switch

1-Lamp - Replace **AIC8HF2** with **AIC8HF1**

Electronic Multi-Tap Ballast 120V Thru 277V Factory Standard

Finishing Kit – 8" Horizontal Fluorescent Open Baffled Reflector^{##}

Catalog Number **8650**

8650	Finish	Options
	SCL/BL SGO/BL SC/WH SGO/WH WHT/WH WHT/BL	PF GSK

Finish (Factory Standard)	
SCL/BL	Specular Clear "Alzak" with Black Baffled Splay
SGO/BL	Specular Gold "Alzak" with Black Baffled Splay
SCL/WH	Specular Clear "Alzak" with White Baffled Splay
SGO/WH	Specular Gold "Alzak" with White Baffled Splay
WHT/WH	White Reflector with White Baffled Splay
WHT/BL	White Reflector with White Baffled Splay

Options ▲	
PF	High Polished Flange
GSK	Neoprene Foam Single Gasketing

Features

Manufactured and Listed to UL 1598, ETL and CSA standards. Suitable for Damp Locations Wet location under covered ceiling



▲ See Options and Finishes pages for a list of additional finishes and equipment.

Vantage reserves the right to change components, finishes or design details in any manner which does not alter the installed appearance or reduce performance and intended function.

Vantage



Luminaires

76 Community Avenue Plainfield, CT 06374
voice (860)564.4512 fax (860)564.4854
www.vantageitg.com

03/10