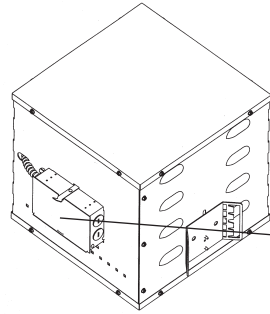
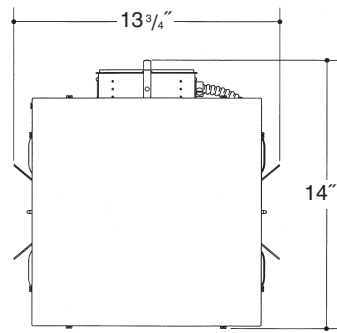


Architectural Grade

Job Name _____

Type _____



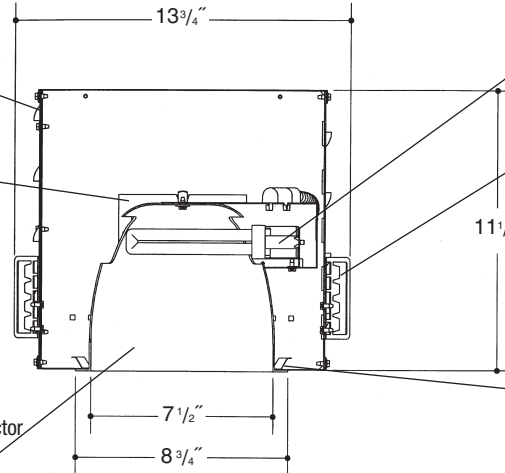
**8" H.F. 2 LT OPEN
IC-RATED**

Heavy gauge electrogalvanized steel junction box, prewired and grounded with easy access from below, listed for through branch circuit wiring.

IC-Rated formed, vented, aluminum housing.

Electronic ballast, Class P, 50/60 HZ-120/277, Programmed Start, thermally protected, 98% Power Factor, 1.00 Ballast Factor, <10% THD, Class A sound rated. Minimum starting temperature -18°C/0°F. *UL Listed* component.

Heavy gauge spun aluminum low iridescent reflector with self trimming white painted flange. Polished Flange available.



Aluminum socket housing with zinc plated steel quick assembly hardware. *UL Listed* socket and electrical connectors.

Adjustable height electrogalvanized plated steel mounting ears with cutouts for various mounting methods. Standard bars (included) are innovative and incorporate rigid formed cross sections, joist positioning tabs, integral nails, auxiliary nailholes, T-Bar slots and holes for locking bars to T-Bar using #8 self-tapping screws (by others). Bars extend 14"-24". Ears will also accept Caddy Bar #520 for fast installation in T-Bar ceilings, bars extend 27".

Electrogalvanized plated steel frame.

Rough in Kit – 8" Horizontal Fluorescent IC-Rated 2-Lamp (Compact Fluorescent Twin, Quad Tube or Triple Tube)

Catalog Number **AIC8HF2**

AIC8HF2	Wattage	Ballast	Voltage	Options
	42W MAX. PLT	E	1	CP
	32W PLT	DA	2	F
	26W DTT, PLT		3	PR
	18W DTT, PLT		4	EMI
	13"W TT, DTT			

Ballast	E	Electronic	(4 Pin Lamp)
	DA	Dimming - Advance Mark X	(4 Pin Lamp)
	*	13 Watt Advance Mark VII Only	
Voltage	1	120 Volts	
	2	277 Volts	
	3	347 Volts (Electronic Ballast only)	
	4	208 Volts (Electronic Ballast Only)	
Options ▲	CP	Chicago Plenum	
	F	Fused	
	PR	Plaster Ring	
	EMI	Internal Mounted Emergency Test Switch	

1-Lamp - Replace **AIC8HF2** with **AIC8HF1**

Electronic Multi-Tap Ballast 120V Thru 277V Factory Standard

Finishing Kit – 8" Horizontal Fluorescent Open Reflector^{##}

Catalog Number **8600**

8600	Finish	Options
	SCL	PF
	SGO	GSK
	WHT	

Finish (Factory Standard)

SCL	Specular Clear "Alzak" with White Flange
SGO	Specular Gold "Alzak" with White Flange
WHT	White Reflector with White Flange

Options ▲

PF	High Polished Flange
GSK	Neoprene Foam Single Gasketing

Features

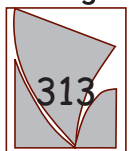
Manufactured and Listed to UL 1598, ETL and CSA standards. Suitable for Damp Locations Wet location under covered ceiling



▲ See Options and Finishes pages for a list of additional finishes and equipment.

Vantage reserves the right to change components, finishes or design details in any manner which does not alter the installed appearance or reduce performance and intended function.

Vantage



Luminaires

76 Community Avenue Plainfield, CT 06374
voice (860)564.4512 fax (860)564.4854
www.vantageitg.com

03/10

Photometric Information

Product Number: AIC8HF218E1/8600SCL
Frame In Kit: 8" Horizontal Mount Fluorescent
Reflector: 8" Horizontal Clear "Alzak" Reflector
LTL Test Number: 05110
Lamp(s) Source: (2) 18W DTT 4 pin lamps rated at 1250 lumens
Total Luminaire Efficiency: 67.0%
CIE Type: Direct
Luminaire Spacing Criterion: 1.4/1.8/1.6
Luminous Diameter: 7.500

Product Number: AIC8HF226E1/8600SCL
Frame In Kit: 8" Horizontal Mount Fluorescent
Reflector: 8" Horizontal Clear "Alzak" Reflector
LTL Test Number: 05835
Lamp(s) Source: (2) 26W DTT 4 pin lamps rated at 1800 lumens
Total Luminaire Efficiency: 58.9%
CIE Type: Direct
Luminaire Spacing Criterion: 1.6/1.8/1.2
Luminous Diameter: 7.500

Zonal Lumen Summary

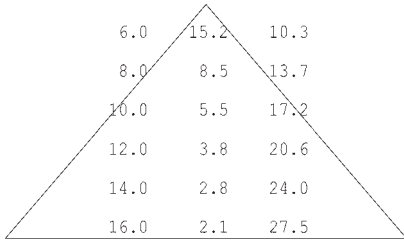
ZONE	LUMENS	%LAMP	%FIXTURE
0- 30	612	24.5	36.5
0- 40	1025	41.0	61.2
0- 60	1664	66.6	99.3
0- 90	1676	67.0	100.0
90-180	0	0.0	0.0
0-180	1676	67.0	100.0

Zonal Lumen Summary

ZONE	LUMENS	%LAMP	%FIXTURE
0- 30	743	20.7	35.0
0- 40	1283	35.6	60.5
0- 60	2103	58.4	99.1
0- 90	2122	58.9	100.0
90-180	0	0.0	0.0
0-180	2122	58.9	100.0

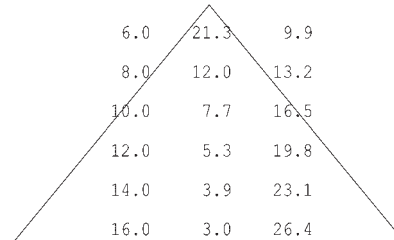
Cone of Light

Ft. Fc Dia
Below Nadir @50%



Cone of Light

Ft. Fc Dia
Below Nadir @50%



Coefficients of Utilization

RC	80				70				50				30				10				0											
RW	70	50	30	10	70	50	30	10	50	30	10	50	30	10	50	30	10	50	30	10	50	30	10	50	30	10	50	30	10	50	30	10
0	80	80	80	80	78	78	78	78	75	75	75	71	71	71	68	68	68	67														
1	75	73	71	69	74	72	70	68	69	67	66	66	65	64	64	63	62	61														
2	71	67	64	61	69	66	63	60	63	61	59	61	59	58	59	58	56	55														
3	66	61	57	54	65	60	56	53	58	55	52	56	54	51	55	53	51	49														
4	62	55	51	47	60	54	50	47	53	49	46	52	48	46	50	48	45	44														
5	57	50	45	42	56	49	45	41	48	44	41	47	43	41	46	43	40	39														
6	53	45	40	37	52	45	40	37	44	40	36	43	39	36	42	38	36	35														
7	49	41	36	32	48	41	36	32	40	35	32	39	35	32	38	34	32	30														
8	45	37	32	28	44	36	31	28	35	31	28	35	31	28	34	30	28	26														
9	41	33	28	24	40	32	28	24	32	27	24	31	27	24	30	27	24	23														
10	38	30	25	21	37	29	25	21	29	24	21	28	24	21	27	24	21	20														

Coefficients of Utilization

RC	80				70				50				30				10				0											
RW	70	50	30	10	70	50	30	10	50	30	10	50	30	10	50	30	10	50	30	10	50	30	10	50	30	10	50	30	10	50	30	10
0	70	70	70	70	69	69	69	69	66	66	66	63	63	63	60	60	60	59														
1	66	64	62	61	65	63	61	60	61	59	58	58	57	56	56	55	55	54														
2	62	59	56	53	61	58	55	53	56	53	52	54	52	51	52	51	49	48														
3	58	53	50	47	57	53	49	47	51	48	46	49	47	45	48	46	44	43														
4	54	48	44	41	53	48	44	41	46	43	41	45	42	40	44	42	40	39														
5	50	44	39	36	49	43	39	36	42	38	36	41	38	35	40	37	35	34														
6	46	40	35	32	45	39	35	32	38	34	32	37	34	31	36	33	31	30														
7	43	36	31	28	42	35	31	28	34	31	28	34	30	28	33	30	27	26														
8	39	32	27	24	38	32	27	24	31	27	24	30	27	24	29	26	24	23														
9	36	28	24	21	35	28	24	21	27	23	21	27	23	21	26	23	20	19														
10	33	26	21	18	32	25	21	18	25	21	18	24	21	18	24	20	18	17														

