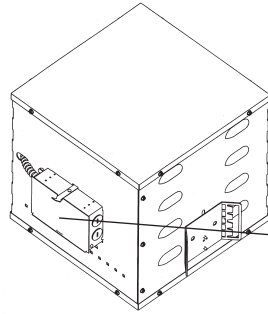
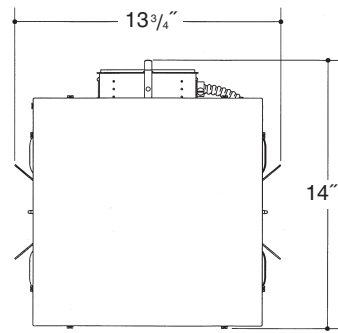


Architectural Grade

Job Name _____

Type _____

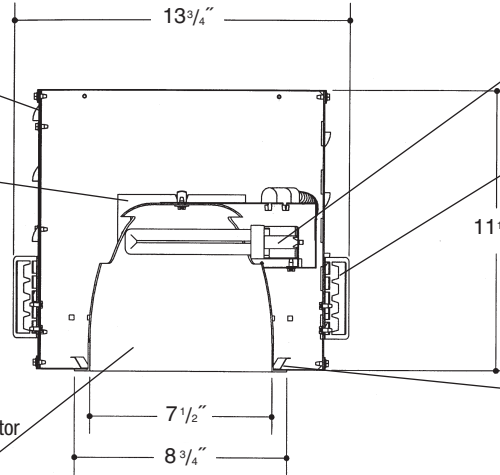


8" H.F. 2 LT OPEN IC-RATED

Heavy gauge electrogalvanized steel junction box, prewired and grounded with easy access from below, listed for through branch circuit wiring.

IC-Rated formed, vented, aluminum housing.

Electronic ballast, Class P, 50/60 HZ-120/277, Programmed Start, thermally protected, 98% Power Factor, 1.00 Ballast Factor, <10% THD, Class A sound rated. Minimum starting temperature -18°C/0°F. *UL Listed* component.



Aluminum socket housing with zinc plated steel quick assembly hardware. *UL Listed* socket and electrical connectors.

Adjustable height electrogalvanized plated steel mounting ears with cutouts for various mounting methods. Standard bars (included) are innovative and incorporate rigid formed cross sections, joist positioning tabs, integral nails, auxiliary nailholes, T-Bar slots and holes for locking bars to T-Bar using #8 self-tapping screws (by others). Bars extend 14"-24". Ears will also accept Caddy Bar #520 for fast installation in T-Bar ceilings, bars extend 27".

Heavy gauge spun aluminum low iridescent reflector with self trimming white painted flange. Polished Flange available.

Electrogalvanized plated steel frame.

Rough in Kit – 8" Horizontal Fluorescent IC-Rated 2-Lamp (Compact Fluorescent Twin, Quad Tube or Triple Tube)

Catalog Number **AIC8HF2** _____

AIC8HF2	Wattage	Ballast	Voltage	Options
	42W MAX. PLT	E	1	CP
	32W PLT	DA	2	F
	26W DTT, PLT		3	PR
	18W DTT, PLT		4	EMI
	13"W TT, DTT			

- Ballast
- E** Electronic (4 Pin Lamp)
 - DA** Dimming - Advance Mark X (4 Pin Lamp)
 - *** 13 Watt Advance Mark VII Only
- Voltage
- 1** 120 Volts
 - 2** 277 Volts
 - 3** 347 Volts (Electronic Ballast only)
 - 4** 208 Volts (Electronic Ballast Only)
- Options ▲
- CP** Chicago Plenum
 - F** Fused
 - PR** Plaster Ring
 - EMI** Internal Mounted Emergency Test Switch

1-Lamp - Replace **AIC8HF2** with **AIC8HF1**

Electronic Multi-Tap Ballast 120V Thru 277V Factory Standard

Finishing Kit – 8" Horizontal Fluorescent Open Reflector##

Catalog Number **8601** _____

8601	Finish	Options
	SCL	PF
	SGO	
	WHT	

Finish (Factory Standard)

- SCL** Specular Clear "Alzak" with White Flange
- SGO** Specular Gold "Alzak" with White Flange
- WHT** White Reflector with White Flange

Options ▲

- PF** High Polished Flange

Features

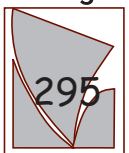
Manufactured and Listed to UL 1598, ETL and CSA standards. Suitable for Damp Locations Wet location under covered ceiling



▲ See Options and Finishes pages for a list of additional finishes and equipment.

Vantage reserves the right to change components, finishes or design details in any manner which does not alter the installed appearance or reduce performance and intended function.

Vantage



76 Community Avenue Plainfield, CT 06374
 voice (860) 564.4512 fax (860) 564.4854
 www.vantageitg.com

03/10

Luminaires