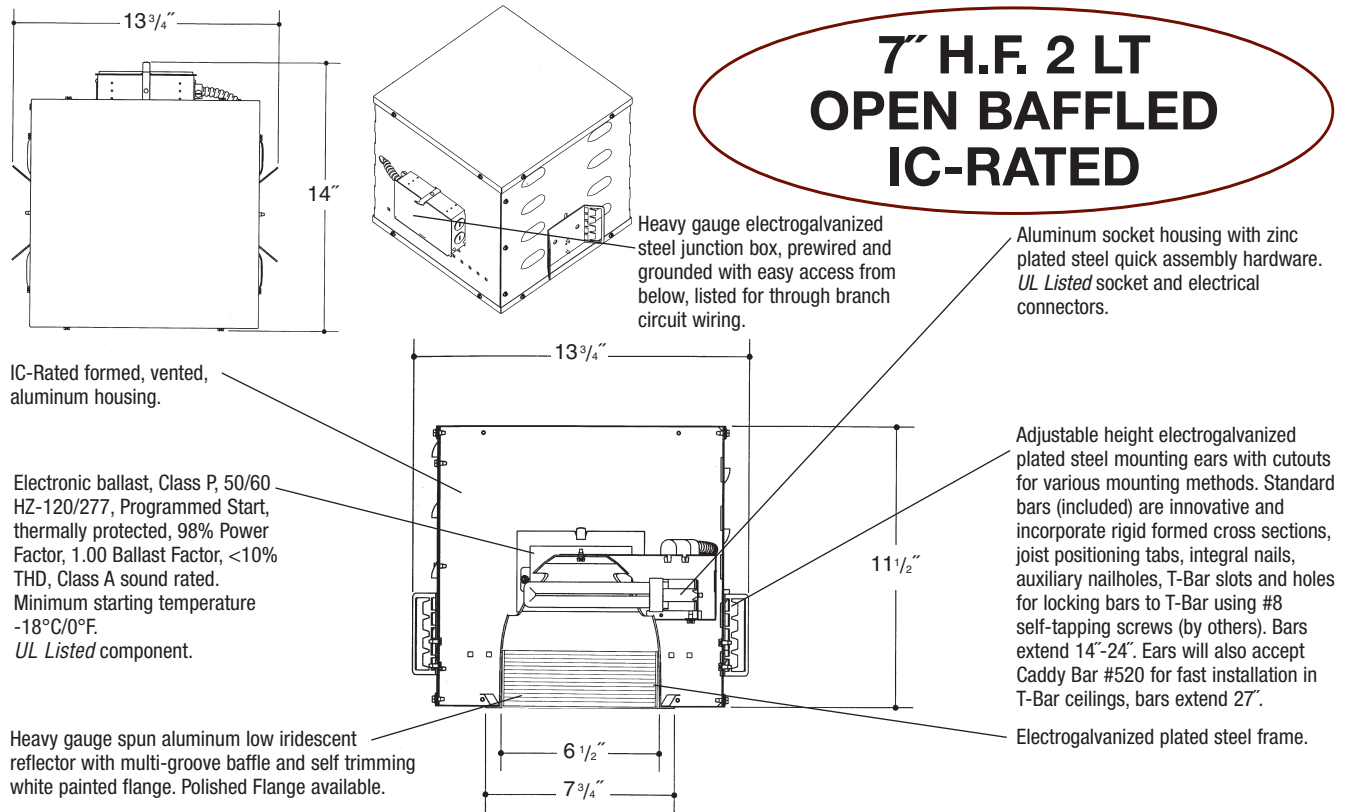


Architectural Grade

Job Name _____

Type _____



Rough in Kit – 7" Horizontal Fluorescent IC-Rated 2-Lamp (Compact Fluorescent Twin, Quad or Triple Tube)

Catalog Number **AIC7HF2**

AIC7HF2	Wattage	Ballast	Voltage	Options
	42W MAX. PLT••	E	1	CP
	32W PLT••	DA	2	F
	26W DTT, PLT		3	PR
	18W DTT, PLT		4	EMI
	13*W TT, DTT			

Ballast		
E	Electronic	(4 Pin Lamp)
DA	Dimming - Advance Mark X	(4 Pin Lamp)
*	13 Watt Advance Mark VII Only	
Voltage		
1	120 Volts	
2	277 Volts	
3	347 Volts (Electronic Ballast only)	
4	208 Volts (Electronic Ballast Only)	
Options ▲		
CP	Chicago Plenum	
F	Fused	
PR	Plaster Ring	
EMI	Internal Mounted Emergency Test Switch	

••1-Lamp only for Triple Tube

1-Lamp - Replace AIC7HF2 with AIC7HF1

Electronic Multi-Tap Ballast 120V Thru 277V Factory Standard

Finishing Kit – 7" Horizontal Fluorescent Open Baffled Reflector##

Catalog Number **7650**

7650	Finish	Options
	SCL/BL	PF
	SGO/BL	GSK
	SCL/WH	
	SGO/WH	
	WHT/WH	
	WHT/BL	

Finish (Factory Standard)	
SCL/BL	Specular Clear "Alzak" with White Flange and Black Baffle
SGO/BL	Specular Gold "Alzak" with White Flange and Black Baffle
SCL/WH	Specular Clear "Alzak" with White Flange and White Baffle
SGO/WH	Specular Gold "Alzak" with White Flange and White Baffle
WHT/WH	White Reflector with White Baffle
WHT/BL	White Reflector with Black Baffle
Options ▲	
PF	High Polished Flange
GSK	Neoprene Foam Single Gasketing

Features

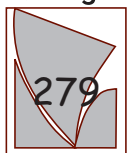
Manufactured and Listed to UL 1598, ETL and CSA standards.
Suitable for Damp Locations
Wet location under covered ceiling



▲ See Options and Finishes pages for a list of additional finishes and equipment.

Vantage reserves the right to change components, finishes or design details in any manner which does not alter the installed appearance or reduce performance and intended function.

Vantage



Luminaires

76 Community Avenue Plainfield, CT 06374
voice (860)564.4512 fax (860)564.4854
www.vantageitg.com

03/10