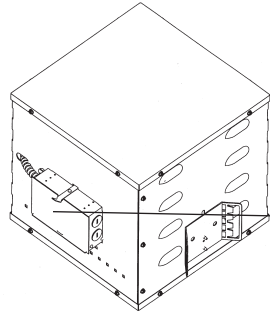
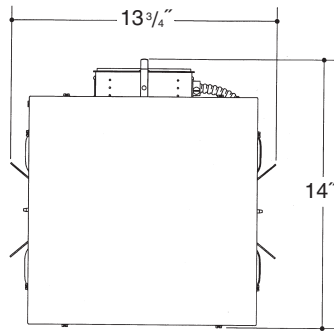


Architectural Grade

Job Name _____

Type _____



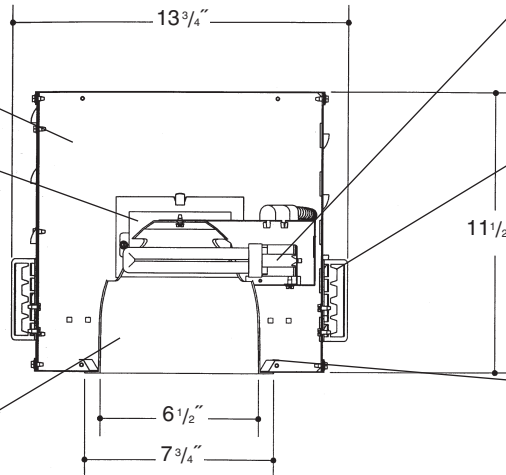
**7" H.F. 2 LT
OPEN
IC-RATED**

Heavy gauge electrogalvanized steel junction box, prewired and grounded with easy access from below, listed for through branch circuit wiring.

Aluminum socket housing with zinc plated steel quick assembly hardware. *UL Listed* socket and electrical connectors.

IC-Rated formed, vented, aluminum housing.

Electronic ballast, Class P, 50/60 HZ-120/277, Programmed Start, thermally protected, 98% Power Factor, 1.00 Ballast Factor, <10% THD, Class A sound rated. Minimum starting temperature -18°C/0°F. *UL Listed* component.



Adjustable height electrogalvanized plated steel mounting ears with cutouts for various mounting methods. Standard bars (included) are innovative and incorporate rigid formed cross sections, joist positioning tabs, integral nails, auxiliary nailholes, T-Bar slots and holes for locking bars to T-Bar using #8 self-tapping screws (by others). Bars extend 14"-24". Ears will also accept Caddy Bar #520 for fast installation in T-Bar ceilings, bars extend 27".

Heavy gauge spun aluminum low iridescent reflector with self trimming white painted flange. Polished Flange available.

Electrogalvanized plated steel frame.

Rough in Kit – 7" Horizontal Fluorescent IC-Rated 2-Lamp (Compact Fluorescent Twin, Quad or Triple Tube)

Catalog Number **AIC7HF2**

AIC7HF2	Wattage	Ballast	Voltage	Options
	42W MAX. PLT●●	E	1	CP
	32W PLT●●	DA	2	F
	26W DTT, PLT		3	PR
	18W DTT, PLT		4	EMI
	13"W TT, DTT			

Ballast		
E	Electronic	(4 Pin Lamp)
DA	Dimming - Advance Mark X	(4 Pin Lamp)
*	13 Watt Advance Mark VII Only	
Voltage		
1	120 Volts	
2	277 Volts	
3	347 Volts (Electronic Ballast only)	
4	208 Volts (Electronic Ballast Only)	
Options ▲		
CP	Chicago Plenum	
F	Fused	
PR	Plaster Ring	
EMI	Internal Mounted Emergency Test Switch	

●●1-Lamp only for Triple Tube

1-Lamp - Replace AIC7HF2 with AIC7HF1

Electronic Multi-Tap Ballast 120V Thru 277V Factory Standard

Finishing Kit – 7" Horizontal Fluorescent Open Reflector##

Catalog Number **7600**

7600	Finish	Options
	SCL	PF
	SGO	GSK
	WHT	

Finish (Factory Standard)

SCL	Specular Clear "Alzak" with White Flange
SGO	Specular Gold "Alzak" with White Flange
WHT	White Reflector with White Flange

Options ▲

PF	High Polished Flange
GSK	Neoprene Foam Single Gasketing

Features

Manufactured and Listed to UL 1598, ETL and CSA standards. Suitable for Damp Locations. Wet location under covered ceiling



▲ See Options and Finishes pages for a list of additional finishes and equipment.

Vantage reserves the right to change components, finishes or design details in any manner which does not alter the installed appearance or reduce performance and intended function.

Vantage



76 Community Avenue Plainfield, CT 06374
voice (860)564.4512 fax (860)564.4854
www.vantageitg.com

03/10

Luminaires

Photometric Information

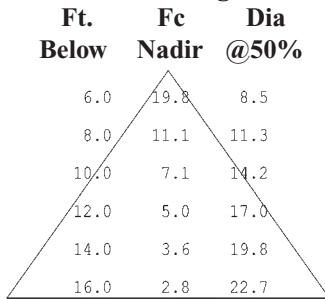
Product Number: AIC7HF218E1/7600SCL
Frame In Kit: 7" Horizontal Mount Fluorescent
Reflector: 7" Horizontal Clear "Alzak" Reflector
LTL Test Number: 05080
Lamp(s) Source: (2) 18W DTT 4 pin lamps rated at 1250 lumens
Total Luminaire Efficiency: 57.8%
CIE Type: Direct
Luminaire Spacing Criterion: 1.4/1.4
Luminous Diameter: 6.50

Product Number: AIC7HF226E1/7600SCL
Frame In Kit: 7" Horizontal Mount Fluorescent
Reflector: 7" Horizontal Clear "Alzak" Reflector
LTL Test Number: 05861
Lamp(s) Source: (2) 26W DTT 4 pin lamps rated at 1800 lumens
Total Luminaire Efficiency: 53.1%
CIE Type: Direct
Luminaire Spacing Criterion: 1.3/1.4/1.3
Luminous Diameter: 6.50

Zonal Lumen Summary

ZONE	LUMENS	%LAMP	%FIXTURE
0- 30	646	25.8	44.7
0- 40	1058	42.3	73.2
0- 60	1435	57.4	99.3
0- 90	1445	57.8	100.0
90-180	0	0.0	0.0
0-180	1445	57.8	100.0

Cone of Light



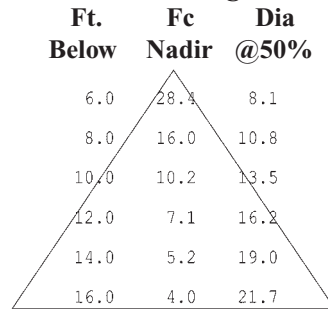
Coefficients of Utilization

RC	80				70				50				30				10				0
RW	70	50	30	10	70	50	30	10	50	30	10	50	30	10	50	30	10	50	30	10	0
0	69	69	69	69	67	67	67	67	64	64	64	61	61	61	59	59	59	58			
1	65	63	62	60	64	62	61	59	60	59	58	58	57	56	56	55	54	53			
2	62	58	56	54	60	57	55	53	55	54	52	54	52	51	52	51	50	49			
3	58	54	50	48	57	53	50	47	51	49	47	50	48	46	48	47	45	44			
4	54	49	46	43	53	49	45	43	47	44	42	46	44	41	45	43	41	40			
5	51	45	41	38	50	44	41	38	43	40	38	42	40	37	41	39	37	36			
6	47	41	37	35	46	41	37	34	40	37	34	39	36	34	38	36	34	33			
7	44	38	34	31	43	37	34	31	37	33	31	36	33	30	35	32	30	29			
8	41	34	30	27	40	34	30	27	33	30	27	33	29	27	32	29	27	26			
9	38	31	27	24	37	31	27	24	30	26	24	29	26	24	29	26	24	23			
10	35	28	24	21	34	28	24	21	27	24	21	27	24	21	26	23	21	20			

Zonal Lumen Summary

ZONE	LUMENS	%LAMP	%FIXTURE
0- 30	898	25.0	47.0
0- 40	1448	40.2	75.7
0- 60	1908	53.0	99.8
0- 90	1912	53.1	100.0
90-180	0	0.0	0.0
0-180	1912	53.1	100.0

Cone of Light



Coefficients of Utilization

RC	80				70				50				30				10				0
RW	70	50	30	10	70	50	30	10	50	30	10	50	30	10	50	30	10	50	30	10	0
0	63	63	63	63	62	62	62	62	59	59	59	57	57	57	54	54	54	53			
1	60	58	57	56	59	57	56	55	55	54	53	53	52	52	51	51	50	49			
2	57	54	52	50	56	53	51	49	51	50	48	50	48	47	48	47	46	45			
3	53	50	47	44	52	49	46	44	47	45	43	46	44	43	45	43	42	41			
4	50	46	42	40	49	45	42	40	44	41	39	43	41	39	42	40	38	37			
5	47	42	38	36	46	41	38	36	40	38	35	39	37	35	39	36	35	34			
6	44	39	35	32	43	38	35	32	37	34	32	37	34	32	36	33	32	31			
7	41	35	32	29	40	35	32	29	34	31	29	34	31	29	33	30	29	28			
8	38	32	28	26	37	32	28	26	31	28	26	31	28	26	30	27	25	25			
9	35	29	25	23	35	29	25	23	28	25	23	28	25	23	27	25	23	22			
10	33	27	23	20	32	26	23	20	26	23	20	25	22	20	25	22	20	19			

