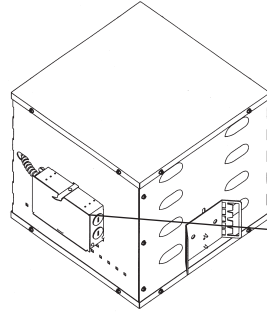
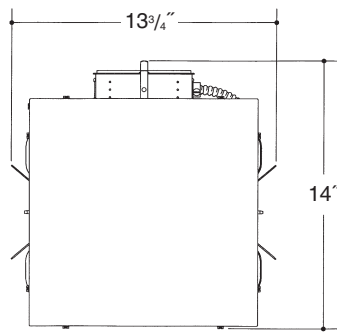


# Architectural Grade

Job Name \_\_\_\_\_

Type \_\_\_\_\_



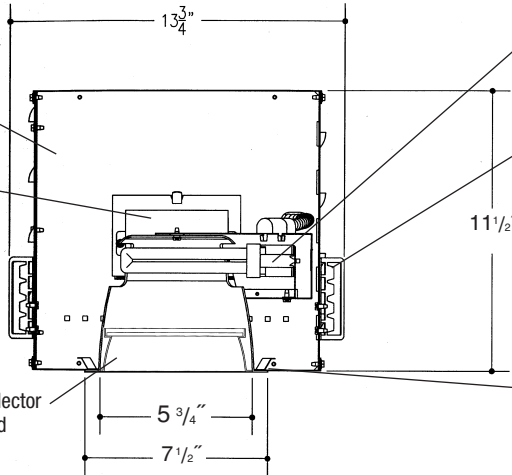
**6" H.F. 2 LT  
LENSED  
IC-RATED**

Heavy gauge electrogalvanized steel junction box, prewired and grounded with easy access from below, listed for through branch circuit wiring.

Aluminum socket housing with zinc plated steel quick assembly hardware. *UL Listed* socket and electrical connectors.

IC-Rated formed, vented, aluminum housing.

Electronic ballast, Class P, 50/60 HZ-120/277, Programmed Start, thermally protected, 98% Power Factor, 1.00 Ballast Factor, <10% THD, Class A sound rated. Minimum starting temperature -18°C/0°F. *UL Listed* component.



Adjustable height electrogalvanized plated steel mounting ears with cutouts for various mounting methods. Standard bars (included) are innovative and incorporate rigid formed cross sections, joist positioning tabs, integral nails, auxiliary nailholes, T-Bar slots and holes for locking bars to T-Bar using #8 self-tapping screws (by others). Bars extend 14"-24". Ears will also accept Caddy Bar #520 for fast installation in T-Bar ceilings, bars extend 27".

Heavy gauge spun aluminum low iridescent reflector with self trimming flanged splay/lens holder and white painted flange. Polished Flange available. Safety chain provided.

Electrogalvanized plated steel frame.

## Rough in Kit – 6" Horizontal Fluorescent IC-Rated 2-Lamp (Compact Fluorescent Twin, Quad or Triple Tube)

Catalog Number **AIC6HF2**

AIC6HF2	Wattage	Ballast	Voltage	Options
	42W MAX. PLT••	E	1	CP
	32W PLT••	DA	2	F
	26W DTT, PLT••		3	PR
	18W DTT, PLT••		4	EMI
	13"W TT, DTT			

Ballast		
E	Electronic	(4 Pin Lamp)
DA	Dimming - Advance Mark X	(4 Pin Lamp)
*	13 Watt Advance Mark VII	Only
Voltage		
1	120 Volts	
2	277 Volts	
3	347 Volts (Electronic Ballast only)	
4	208 Volts (Electronic Ballast Only)	
Options ▲		
CP	Chicago Plenum	
F	Fused	
PR	Plaster Ring	
EMI	Internal Mounted Emergency Test Switch	

••1-Lamp only for 18W, 26W, 32W and 42W Triple Tube

1-Lamp - Replace AIC6HF2 with AIC6HF1

Electronic Multi-Tap Ballast 120V Thru 277V Factory Standard

## Finishing Kit – 6" Horizontal Fluorescent Lensed Reflector – clear reflector standard with self trim flange

Catalog Number **66**

66	Lens	Finish	Options
	6611 - Tempered Clear Lens	SCL	PF
	6614 - Tempered Prismatic Lens (C73 Pattern)	SGO	DGSK
	6616 - Fresnel Lens	WHT	
	6618 - Flat Alba Lens		
	6619 - Drop Opal Lens		

Finish (Factory Standard)

SCL	Specular Clear "Alzak" Splay with White Flange
SGO	Specular Gold "Alzak" Splay with White Flange
WHT	White Splay with White Flange

Options ▲

PF	High Polished Flange
DGSK	Neoprene Foam Double Gasketing

### Features

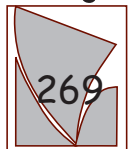
Manufactured and Listed to UL 1598, ETL and CSA standards. Suitable for Damp Locations Wet location under covered ceiling



▲ See Options and Finishes pages for a list of additional finishes and equipment.

Vantage reserves the right to change components, finishes or design details in any manner which does not alter the installed appearance or reduce performance and intended function.

Vantage



Luminaires

76 Community Avenue Plainfield, CT 06374  
voice (860)564.4512 fax (860)564.4854  
www.vantageitg.com

03/10