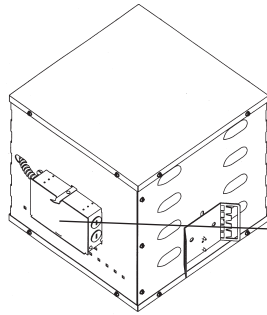
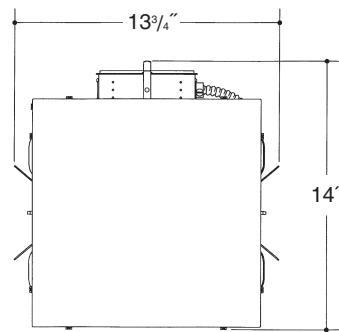


# Architectural Grade

Job Name \_\_\_\_\_

Type \_\_\_\_\_



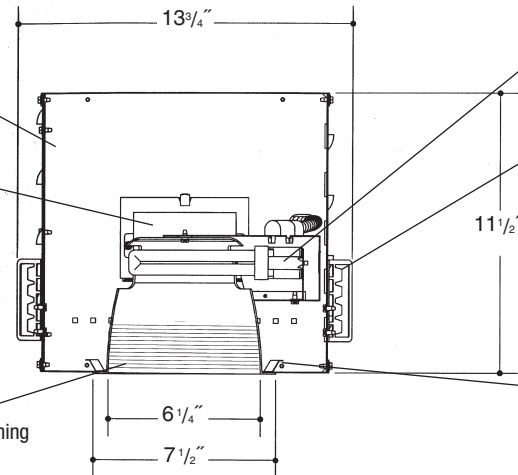
## 6" H.F. 2 LT OPEN BAFFLED IC-RATED

Heavy gauge electrogalvanized steel junction box, prewired and grounded with easy access from below, listed for through branch circuit wiring.

IC-Rated formed, vented, aluminum housing.

Electronic ballast, Class P, 50/60 HZ-120/277, Programmed Start, thermally protected, 98% Power Factor, 1.00 Ballast Factor, <10% THD, Class A sound rated. Minimum starting temperature -18°C/0°F. *UL Listed* component.

Heavy gauge spun aluminum low iridescent reflector with multi-groove baffle and self trimming white painted flange. Polished Flange available.



Aluminum socket housing with zinc plated steel quick assembly hardware. *UL Listed* socket and electrical connectors.

Adjustable height electrogalvanized plated steel mounting ears with cutouts for various mounting methods. Standard bars (included) are innovative and incorporate rigid formed cross sections, joist positioning tabs, integral nails, auxiliary nailholes, T-Bar slots and holes for locking bars to T-Bar using #8 self-tapping screws (by others). Bars extend 14"-24". Ears will also accept Caddy Bar #520 for fast installation in T-Bar ceilings, bars extend 27".

Electrogalvanized plated steel frame.

### Rough in Kit – 6" Horizontal Fluorescent IC-Rated 2-Lamp (Compact Fluorescent Twin, Quad or Triple Tube)

Catalog Number **AIC6HF2** \_\_\_\_\_

AIC6HF2	Wattage	Ballast	Voltage	Options
	42W MAX. PLT••	E	1	CP
	32W PLT••	DA	2	F
	26W DTT, PLT••		3	PR
	18W DTT, PLT••		4	EMI
	13"W TT, DTT			

Ballast	E	Electronic	(4 Pin Lamp)
	DA	Dimming - Advance Mark X	(4 Pin Lamp)
	*	13 Watt Advance Mark VII Only	
Voltage	1	120 Volts	
	2	277 Volts	
	3	347 Volts (Electronic Ballast only)	
	4	208 Volts (Electronic Ballast Only)	
Options ▲	CP	Chicago Plenum	
	F	Fused	
	PR	Plaster Ring	
	EMI	Internal Mounted Emergency Test Switch	

••1-Lamp only for 18W, 26W, 32W and 42W Triple Tube

1-Lamp - Replace AIC6HF2 with AIC6HF1

Electronic Multi-Tap Ballast 120V Thru 277V Factory Standard

### Finishing Kit – 6" Horizontal Fluorescent Open Baffled Reflector

Catalog Number **6650** \_\_\_\_\_

6650	Finish	Options
	SCL/BL	PF
	SGO/BL	GSK
	SCL/WH	
	SGO/WH	
	WHT/WH	
	WHT/BL	

Finish (Factory Standard)

SCL/BL	Specular Clear "Alzak" with White Flange and Black Baffle
SGO/BL	Specular Gold "Alzak" with White Flange and Black Baffle
SCL/WH	Specular Clear "Alzak" with White Flange and White Baffle
SGO/WH	Specular Gold "Alzak" with White Flange and White Baffle
WHT/WH	White Reflector with White Flange with White Baffle
WHT/BL	White Reflector with White Flange with Black Baffle

Options ▲

PF	High Polished Flange
GSK	Neoprene Foam Single Gasketing

### Features

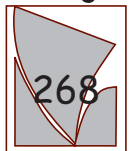
Manufactured and Listed to UL 1598, ETL and CSA standards. Suitable for Damp Locations Wet location under covered ceiling



▲ See Options and Finishes pages for a list of additional finishes and equipment.

Vantage reserves the right to change components, finishes or design details in any manner which does not alter the installed appearance or reduce performance and intended function.

Vantage



76 Community Avenue Plainfield, CT 06374

voice (860)564.4512 fax (860)564.4854

www.vantageltg.com

03/10

Luminaires

# Photometric Information

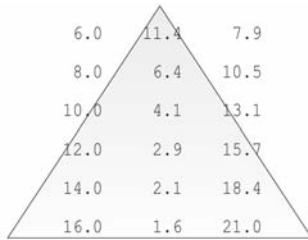
**Product Number:** AIC6HF132E1/6650SCL/WH  
**Frame In Kit:** 6" Horizontal Mount Fluorescent  
**Reflector:** 6" Horizontal Clear "Alzak" Reflector with White Baffle  
**LTL Test Number:** 08752  
**Lamp(s) Source:** (1) 32W PLT 4pin lamp rated at 2400 lumens  
**Total Luminaire Efficiency:** 38.8%  
**CIE Type:** Direct  
**Luminaire Spacing Criterion:** 0.8/1.4/1.4  
**Luminous Diameter:** 6.125

### Zonal Lumen Summary

ZONE	LUMENS	%LAMP	%FIXTURE
0- 30	361	15.0	38.7
0- 40	576	24.0	61.8
0- 60	843	35.1	90.4
0- 90	932	38.8	100.0
90-180	0	0.0	0.0
0-180	932	38.8	100.0

### Cone of Light

**Ft. Fc Dia**  
**Below Nadir @50%**



### Coefficients of Utilization

RC	80				70				50				30				10				0
RW	70	50	30	10	70	50	30	10	50	30	10	50	30	10	50	30	10	50	30	10	0
0	46	46	46	46	45	45	45	45	43	43	43	41	41	41	40	40	40	39	39	39	0
1	43	42	41	39	42	41	40	39	39	38	38	38	37	36	37	36	35	35	35	35	0
2	40	38	36	34	39	37	35	34	36	34	33	35	33	32	33	32	31	31	31	31	0
3	38	34	32	30	37	34	31	29	33	31	29	32	30	28	31	29	28	27	27	27	0
4	35	31	28	26	34	31	28	26	30	27	26	29	27	25	28	26	25	24	24	24	0
5	32	28	25	23	32	28	25	23	27	24	23	26	24	22	25	24	22	21	21	21	0
6	30	26	23	20	29	25	22	20	25	22	20	24	22	20	23	21	20	19	19	19	0
7	28	23	20	18	27	23	20	18	22	20	18	22	20	18	21	19	18	17	17	17	0
8	26	21	18	16	25	21	18	16	20	18	16	20	17	16	19	17	16	15	15	15	0
9	24	19	16	14	23	19	16	14	18	16	14	18	16	14	18	15	14	13	13	13	0
10	22	17	14	13	22	17	14	13	17	14	12	16	14	12	16	14	12	12	12	12	0

