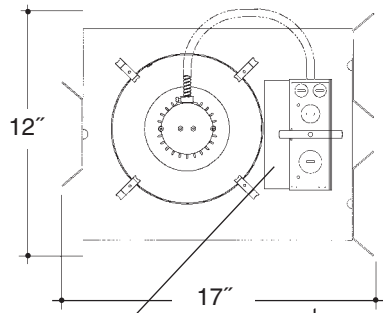


Architectural Grade

Job Name _____

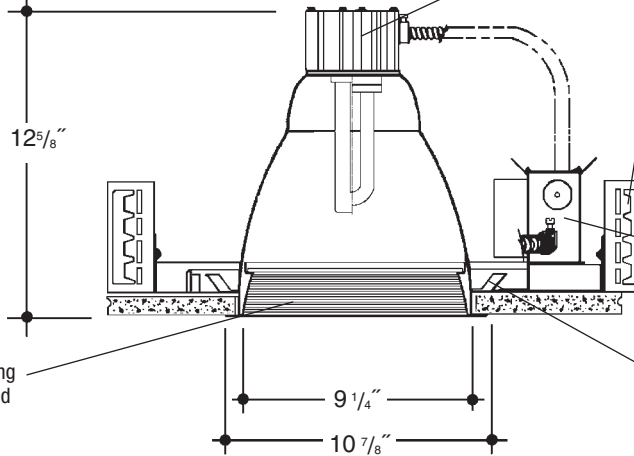
Type _____



10" V.F. 1 LT LENSED BAFFLED

Electronic ballast, Class P, 50/60 HZ-120/277, Programmed Start, thermally protected, 98% Power Factor, 1.00 Ballast Factor, <10% THD, Class A sound rated. Minimum starting temperature -18°C/0°F.
Magnetic ballast, High Power Factor, thermally protected, minimum starting temperature 10°C/50°F.
UL Listed component.

Heavy gauge spun aluminum low iridescent reflector with self trimming flanged baffled splay/lens holder and white painted flange. Safety chain provided.



Aluminum heat sink socket cup with Zinc plated steel hardware and spring steel clips for fast assembly. *UL Listed* socket.

Adjustable height electrogalvanized plated steel mounting ears with cutouts for various mounting methods. Standard bars (included) are innovative and incorporate rigid formed cross sections, joist positioning tabs, integral nails, auxiliary nailholes, T-Bar slots and holes for locking bars to T-Bar using #8 self-tapping screws (by others). Bars extend 14"-24". Ears will also accept Caddy Bar #520 for fast installation in T-Bar ceilings, bars extend 27".

Heavy gauge electrogalvanized steel junction box, prewired and grounded with easy access from below, listed for through branch circuit wiring.

Electrogalvanized plated steel frame.

Rough in Kit – 10" Vertical Fluorescent 1-Lamp (Compact Fluorescent Triple or Quad Tube)

Catalog Number **A10VF1**

A10VF1

Wattage	Ballast	Voltage	Options
57W MAX. DT	E	1	EM
42W PLT	H	2	F
32W PLT	DA	3	R
26W DTT, PLT	DL	4	PR
18W DTT, PLT			

Ballast		
E	Electronic	(4 Pin Lamp)
H	High Power Factor	(2 Pin Lamp)
DA	Dimming - Advance Mark X	(4 Pin Lamp)
DL	Dimming - Lutron	(4 Pin Lamp)
Voltage		
1	120 Volts	
2	277 Volts	
3	347 Volts (Electronic Ballast Only)	
4	208 Volts (Electronic Ballast Only)	
Options ▲		
EM	Emergency Battery	
F	Fused	
R	Remodeler	
PR	Plaster Ring	

2-Lamp Not Available in Triple Tube (DT, PLT)

2-Lamp – Replace A10VF1 with A10VF2

Electronic Multi-Tap Ballast 120V Thru 277V Factory Standard

Finishing Kit – 10" Vertical Fluorescent Lensed Reflector - clear reflector standard with Black or White Baffled Splay

Catalog Number **100**

Lens	Finish	Options
10021 - Tempered Clear Lens	SCL/BL	DGSK
10024 - Tempered Prismatic Lens (C73 Pattern)	SCL/WH	
10026 - Fresnel Lens	WHT/WH	
10028 - Flat Alba Lens	WHT/BL	
10029 - Drop Opal Lens		

Finish (Factory Standard)	
SCL/BL	Specular Clear "Alzak" with Black Baffled Splay
SCL/WH	Specular Clear "Alzak" with White Baffled Splay
WHT/WH	White Reflector with White Baffled Splay
WHT/BL	White Reflector with Black Baffled Splay

Options ▲	
DGSK	Neoprene Foam Double Gasketing

Features

Manufactured and Listed to UL 1598, ETL and CSA standards.
Suitable for Damp Locations
Wet location under covered ceiling



▲ See Options and Finishes pages for a list of additional finishes and equipment.

Vantage reserves the right to change components, finishes or design details in any manner which does not alter the installed appearance or reduce performance and intended function.

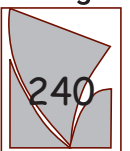
08/08

76 Community Avenue Plainfield, CT 06374

voice (860)564.4512 fax (860)564.4854

www.vantageitg.com

Vantage



Luminaires