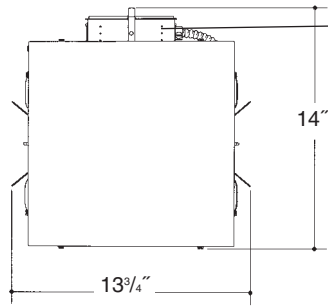


Architectural Grade

Job Name _____

Type _____

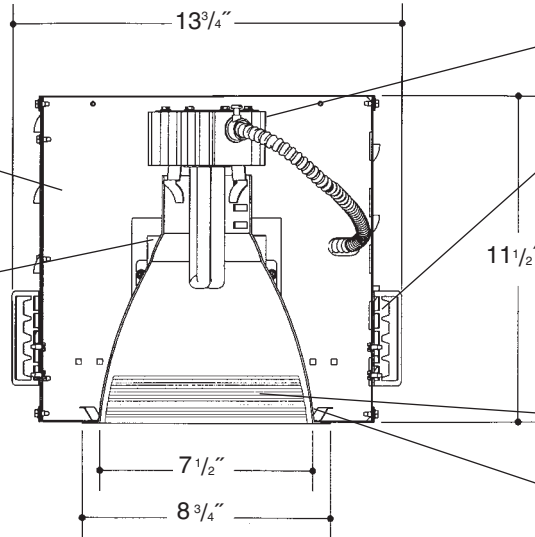


Heavy gauge electrogalvanized steel junction box, prewired and grounded with easy access from below, listed for through branch circuit wiring.

**8" V.F. 1LT
OPEN BAFFLED
IC-RATED**

IC-Rated formed, vented, aluminum housing.

Electronic ballast, Class P, 50/60 HZ-120/277, Programmed Start, thermally protected, 98% Power Factor, 1.00 Ballast Factor, <10% THD, Class A sound rated. Minimum starting temperature -18°C/0°F. *UL Listed* component.



Aluminum heat sink socket cup with Zinc plated steel hardware and spring steel clips for fast assembly. *UL Listed* socket.

Adjustable height electrogalvanized plated steel mounting ears with cutouts for various mounting methods. Standard bars (included) are innovative and incorporate rigid formed cross sections, joist positioning tabs, integral nails, auxiliary nailholes, T-Bar slots and holes for locking bars to T-Bar using #8 self-tapping screws (by others). Bars extend 14"-24". Ears will also accept Caddy Bar #520 for fast installation in T-Bar ceilings, bars extend 27".

Heavy gauge spun aluminum low iridescent reflector with multi-groove baffle and self trimming white painted flange. Polished Flange available.

Electrogalvanized plated steel frame.

Rough in Kit – 8" Vertical Fluorescent 1-Lamp IC-Rated (Compact Fluorescent Twin, Quad or Triple Tube)

Catalog Number **AIC8VF1**

AIC8VF1	Wattage	Ballast	Voltage	Options
	42W MAX. PLT	E	1	F
	32W PLT	DA	2	PR
	26W DTT, PLT		3	EMI
	18W DTT, PLT		4	
	13"W TT, DTT			

Ballast		
E	Electronic	(4 Pin Lamp)
DA	Dimming - Advance Mark X	(4 Pin Lamp)
*	13W Advance Mark VII Only	
Voltage		
1	120 Volts	
2	277 Volts	
3	347 Volts (Electronic Ballast Only)	
4	208 Volts (Electronic Ballast Only)	
Options ▲		
F	Fused	
PR	Plaster Ring	
EMI	Internal Mounted Emergency Test Switch	

2-Lamp Not Available in Triple Tube

2-Lamp – Replace **AIC8VF1** with **AIC8VF2**

Electronic Multi-Tap Ballast 120V Thru 277V Factory Standard

Finishing Kit – 8" Vertical Fluorescent Open Baffled Reflector^{###}

Catalog Number **8250**

8250	Finish	Options
	SCL/BL	PF
	SGO/BL	GSK
	SCL/WH	
	SGO/WH	
	WHT/WH	
	WHT/BL	

Finish (Factory Standard)

SCL/BL	Specular Clear "Alzak" with White Flange and Black Baffle
SGO/BL	Specular Gold "Alzak" with White Flange and Black Baffle
SCL/WH	Specular Clear "Alzak" with White Flange and White Baffle
SGO/WH	Specular Gold "Alzak" with White Flange and White Baffle
WHT/WH	White Reflector with White Baffle
WHT/BL	White Reflector with Black Baffle

Options ▲

PF	High Polished Flange
GSK	Neoprene Foam Single Gasketing

^{###} Consult Factory for Lensed Reflectors or Wall Washers

Features

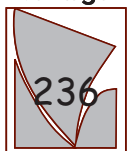
Manufactured and Listed to UL 1598, ETL and CSA standards. Suitable for Damp Locations Wet location under covered ceiling



▲ See Options and Finishes pages for a list of additional finishes and equipment.

Vantage reserves the right to change components, finishes or design details in any manner which does not alter the installed appearance or reduce performance and intended function.

Vantage



06/07

76 Community Avenue Plainfield, CT 06374

voice (860)564.4512 fax (860)564.4854

www.vantageitg.com

Luminaires