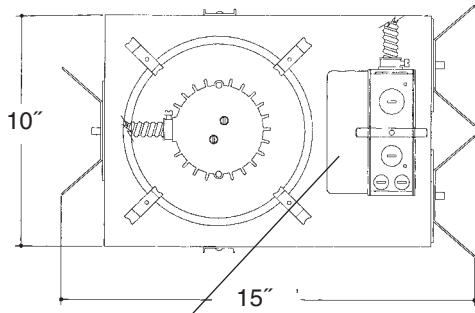


Architectural Grade

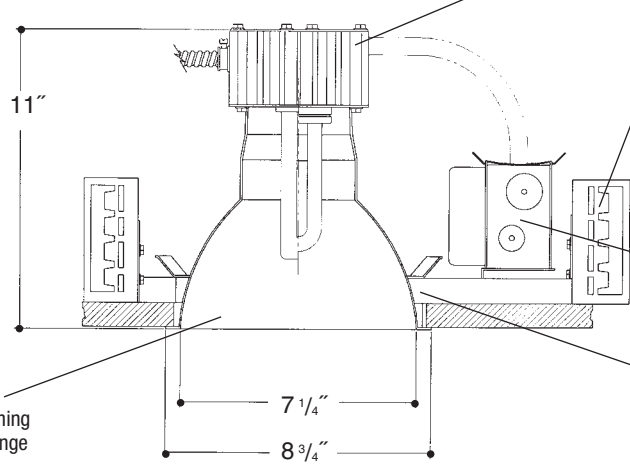
Job Name _____

Type _____



**8" V.F. 1 LT
OPEN**

Electronic ballast, Class P, 50/60 HZ-120/277, Programmed Start, thermally protected, 98% Power Factor, 1.00 Ballast Factor, <10% THD, Class A sound rated. Minimum starting temperature -18°C/0°F. Magnetic ballast, High Power Factor, thermally protected, minimum starting temperature 10°C/50°F. *UL Listed component.*



Aluminum heat sink socket cup with Zinc plated steel hardware and spring steel clips for fast assembly. *UL Listed socket.*

Adjustable height electrogalvanized plated steel mounting ears with cutouts for various mounting methods. Standard bars (included) are innovative and incorporate rigid formed cross sections, joint positioning tabs, integral nails, auxiliary nailholes, T-Bar slots and holes for locking bars to T-Bar using #8 self-tapping screws (by others). Bars extend 14"-24". Ears will also accept Caddy Bar #520 for fast installation in T-Bar ceilings, bars extend 27".

Heavy gauge electrogalvanized steel junction box, prewired and grounded with easy access from below, listed for through branch circuit wiring.

Heavy gauge spun aluminum low iridescent reflector with self trimming white painted flange. Polished Flange available.

Electrogalvanized plated steel frame.

Rough in Kit – 8" Vertical Fluorescent 1-Lamp (Compact Fluorescent Twin, Quad or Triple Tube)

Catalog Number **A8VF1**

A8VF1	Wattage	Ballast	Voltage	Options	Ballast	
	42W MAX. PLT	E	1	EM	E	Electronic (4 Pin Lamp)
	32W PLT	H	2	F	H	High Power Factor (2 Pin Lamp)
	26W DTT, PLT	DA	3	R	DA	Dimming - Advance Mark X (4 Pin Lamp)
	18W DTT, PLT	DL	4	PR	DL	Dimming - Lutron (4 Pin Lamp)
	13*W TT, DTT			EMI	*	13W Advance Mark VII Only
					Voltage	
					1	120 Volts
					2	277 Volts
					3	347 Volts (Electronic Ballast Only)
					4	208 Volts (Electronic Ballast Only)
					Options ▲	
					EM	Emergency Battery
					F	Fused
					R	Remodeler
					PR	Plaster Ring
					EMI	Internal Mounted Emergency Test Switch

2-Lamp Not Available in Triple Tube

2-Lamp – Replace A8VF1 with A8VF2

Electronic Multi-Tap Ballast 120V Thru 277V Factory Standard

Finishing Kit – 8" Vertical Fluorescent Open Reflector

Catalog Number **8200**

8200	Finish	Options	Finish (Factory Standard)
	SCL	PF	SCL Specular Clear "Alzak" with White Flange
	SGO	GSK	SGO Specular Gold "Alzak" with White Flange
	WHT		WHT White Reflector with White Flange
			Options ▲
			PF High Polished Flange
			GSK Neoprene Foam Single Gasketing

Features

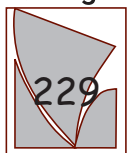
Manufactured and Listed to UL 1598, ETL and CSA standards. Suitable for Damp Locations Wet location under covered ceiling



▲ See Options and Finishes pages for a list of additional finishes and equipment.

Vantage reserves the right to change components, finishes or design details in any manner which does not alter the installed appearance or reduce performance and intended function.

Vantage



Luminaires

76 Community Avenue Plainfield, CT 06374

voice (860)564.4512 fax (860)564.4854

www.vantageitg.com

06/07

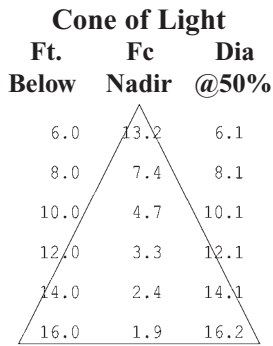
Photometric Information

Product Number: A8VF113E1/8200SCL
Frame In Kit: 8" Vertical Mount Fluorescent
Reflector: 8" Vertical Clear "Alzak" Reflector
LTL Test Number: 06133
Lamp(s) Source: (1) 13W DTT 4 pin lamp rated at 900 lumens
Total Luminaire Efficiency: 59.5%
CIE Type: Direct
Luminaire Spacing Criterion: 1.0
Luminous Diameter: 7.625

Product Number: A8VF126E1/8200SCL
Frame In Kit: 8" Vertical Mount Fluorescent
Reflector: 8" Vertical Clear "Alzak" Reflector
LTL Test Number: 06144
Lamp(s) Source: (1) 26W PLT 4 pin lamp rated at 1800 lumens
Total Luminaire Efficiency: 58.2%
CIE Type: Direct
Luminaire Spacing Criterion: 1.2/1.2
Luminous Diameter: 7.625

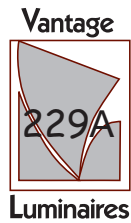
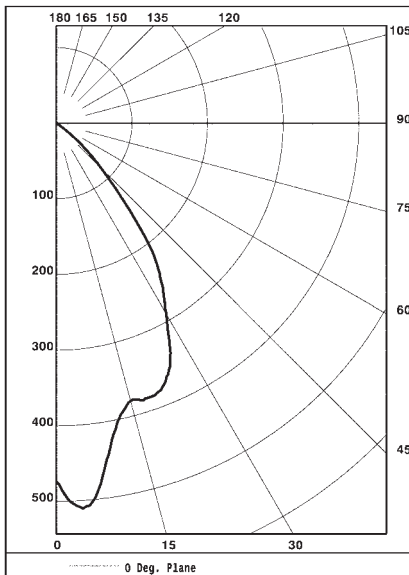
Zonal Lumen Summary

ZONE	LUMENS	%LAMP	%FIXTURE
0- 30	316	35.1	59.0
0- 40	460	51.1	85.8
0- 60	536	59.5	100.0
0- 90	536	59.5	100.0
90-180	0	0.0	0.0
0-180	536	59.5	100.0



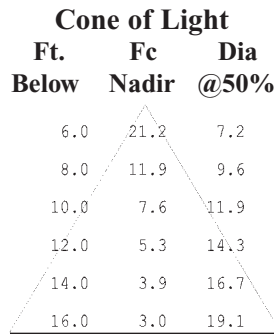
Coefficients of Utilization

RC	80				70				50				30				10				0
RW	70	50	30	10	70	50	30	10	50	30	10	50	30	10	50	30	10	50	30	10	0
0	71	71	71	71	69	69	69	69	66	66	66	66	63	63	63	61	61	61	61	61	0
1	68	66	65	63	66	65	63	62	62	61	60	60	59	58	58	57	57	57	56	56	56
2	64	61	59	57	63	60	58	56	58	57	55	57	55	54	55	54	53	54	53	52	51
3	61	57	54	52	60	56	53	51	55	52	50	53	51	50	52	50	49	48	47	46	45
4	58	53	50	47	56	52	49	47	51	48	46	50	48	46	49	47	45	44	43	42	41
5	54	49	46	43	53	49	45	43	48	45	42	47	44	42	46	43	42	41	40	39	38
6	51	46	42	40	51	46	42	40	45	42	39	44	41	39	43	41	39	38	37	36	35
7	49	43	39	36	48	42	39	36	42	38	36	41	38	36	40	38	36	35	34	33	32
8	46	39	36	33	45	39	36	33	38	35	33	38	35	33	37	35	33	32	31	30	29
9	43	36	33	30	42	36	32	30	35	32	30	35	32	30	34	32	30	29	28	27	26
10	40	34	30	27	39	33	30	27	33	29	27	32	29	27	32	29	27	26	25	24	23



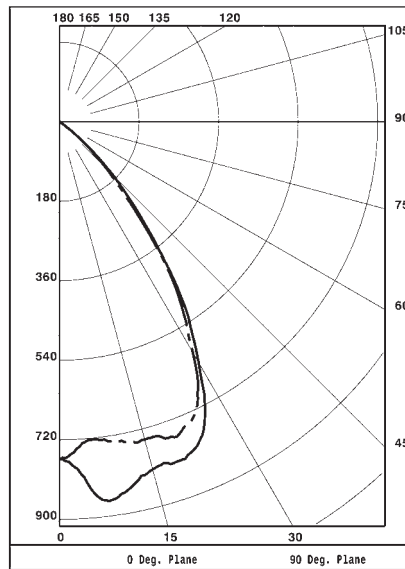
Zonal Lumen Summary

ZONE	LUMENS	%LAMP	%FIXTURE
0- 30	632	35.1	60.3
0- 40	920	51.1	87.8
0- 60	1048	58.2	100.0
0- 90	1048	58.2	100.0
90-180	0	0.0	0.0
0-180	1048	58.2	100.0



Coefficients of Utilization

RC	80				70				50				30				10				0
RW	70	50	30	10	70	50	30	10	50	30	10	50	30	10	50	30	10	50	30	10	0
0	69	69	69	69	68	68	68	68	65	65	65	62	62	62	59	59	59	58	58	58	58
1	66	65	63	62	65	63	62	61	61	60	59	59	58	57	57	56	56	55	55	55	55
2	63	60	58	56	62	59	57	55	57	55	54	55	54	53	54	53	52	51	51	51	51
3	60	56	53	51	58	55	52	50	54	51	49	52	50	49	51	49	48	47	46	46	45
4	56	52	49	46	55	51	48	46	50	47	45	49	47	45	48	46	44	43	42	42	41
5	53	48	45	42	52	48	44	42	47	44	42	46	43	41	45	43	41	40	39	39	38
6	50	45	41	39	50	45	41	39	44	41	39	43	40	38	42	40	38	37	36	36	35
7	48	42	38	36	47	42	38	36	41	38	35	40	37	35	39	37	35	34	33	33	32
8	45	39	35	33	44	38	35	32	38	35	32	37	34	32	37	34	32	31	30	30	29
9	42	36	32	29	41	35	32	29	35	31	29	34	31	29	34	31	29	28	27	27	26
10	39	33	29	27	38	33	29	27	32	29	27	32	29	27	31	28	26	25	24	24	23



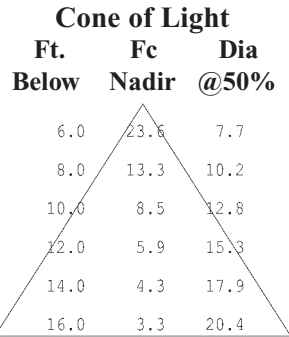
Photometric Information

Product Number: A8VF132E1/8200SCL
Frame In Kit: 8" Vertical Mount Fluorescent
Reflector: 8" Vertical Clear "Alzak" Reflector
LTL Test Number: 06241
Lamp(s) Source: (1) 32W PLT 4 pin lamp rated at 2400 lumens
Total Luminaire Efficiency: 59.5%
CIE Type: Direct
Luminaire Spacing Criterion: 1.3/1.3
Luminous Diameter: 7.625

Product Number: A8VF142E1/8200SCL
Frame In Kit: 8" Vertical Mount Fluorescent
Reflector: 8" Vertical Clear "Alzak" Reflector
LTL Test Number: 06283
Lamp(s) Source: (1) 42W PLT 4 pin lamp rated at 3200 lumens
Total Luminaire Efficiency: 43.4%
CIE Type: Direct
Luminaire Spacing Criterion: 1.0/1.0
Luminous Diameter: 7.625

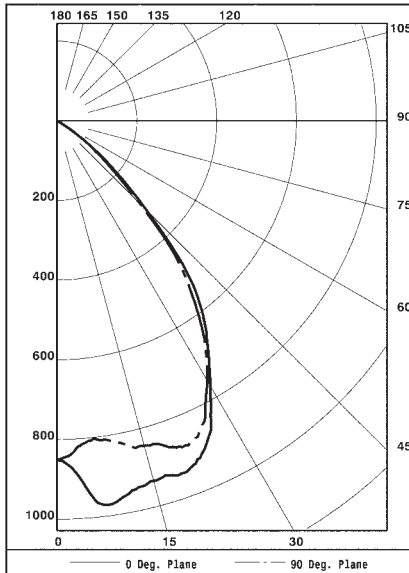
Zonal Lumen Summary

ZONE	LUMENS	%LAMP	%FIXTURE
0- 30	734	30.6	51.4
0- 40	1136	47.3	79.6
0- 60	1427	59.5	100.0
0- 90	1427	59.5	100.0
90-180	0	0.0	0.0
0-180	1427	59.5	100.0



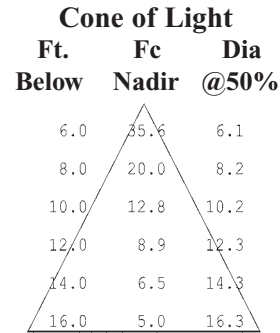
Coefficients of Utilization

RC	80				70				50				30				10				0
RW	70	50	30	10	70	50	30	10	50	30	10	50	30	10	50	30	10	50	30	10	0
0	71	71	71	71	69	69	69	69	66	66	66	63	63	63	61	61	61	59			
1	67	66	64	63	66	64	63	62	62	61	60	60	59	58	58	57	56	55			
2	64	61	58	56	62	60	57	55	58	56	54	56	54	53	54	53	52	51			
3	60	56	53	50	59	55	52	50	54	51	49	52	50	48	51	49	47	47			
4	57	52	48	45	55	51	48	45	50	47	45	48	46	44	47	45	44	43			
5	53	48	44	41	52	47	43	41	46	43	40	45	42	40	44	42	40	39			
6	50	44	40	37	49	44	40	37	43	39	37	42	39	37	41	38	36	36			
7	47	41	37	34	46	40	36	34	39	36	34	39	36	33	38	35	33	32			
8	44	37	33	30	43	37	33	30	36	33	30	35	32	30	35	32	29	29			
9	40	34	30	27	40	34	30	27	33	29	27	32	29	27	32	29	27	26			
10	38	31	27	24	37	31	27	24	30	27	24	30	26	24	29	26	24	23			



Zonal Lumen Summary

ZONE	LUMENS	%LAMP	%FIXTURE
0- 30	932	29.1	67.1
0- 40	1261	39.4	90.8
0- 60	1389	43.4	100.0
0- 90	1389	43.4	100.0
90-180	0	0.0	0.0
0-180	1389	43.4	100.0



Coefficients of Utilization

RC	80				70				50				30				10				0
RW	70	50	30	10	70	50	30	10	50	30	10	50	30	10	50	30	10	50	30	10	0
0	52	52	52	52	50	50	50	50	48	48	48	46	46	46	44	44	44	43			
1	49	48	47	46	48	47	46	46	46	45	44	44	43	43	43	42	42	41			
2	47	45	43	42	46	44	43	42	43	42	41	42	41	40	40	40	39	38			
3	45	42	40	38	44	42	40	38	40	39	38	39	38	37	38	37	36	36			
4	43	39	37	35	42	39	37	35	38	36	35	37	36	34	36	35	34	33			
5	40	37	34	32	40	36	34	32	36	34	32	35	33	32	34	33	31	31			
6	38	35	32	30	38	34	32	30	34	32	30	33	31	30	32	31	30	29			
7	36	32	30	28	36	32	30	28	32	29	28	31	29	28	31	29	28	27			
8	34	30	28	26	34	30	27	26	29	27	26	29	27	26	29	27	25	25			
9	32	28	25	24	32	28	25	24	27	25	23	27	25	23	27	25	23	23			
10	30	26	23	22	30	26	23	22	25	23	22	25	23	22	25	23	21	21			

