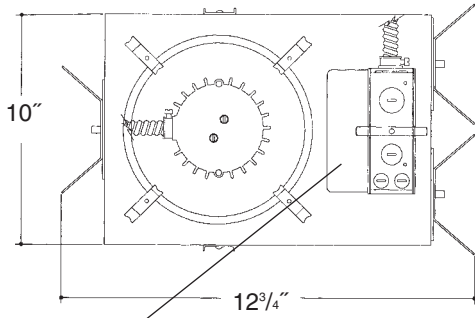


Architectural Grade

Job Name _____

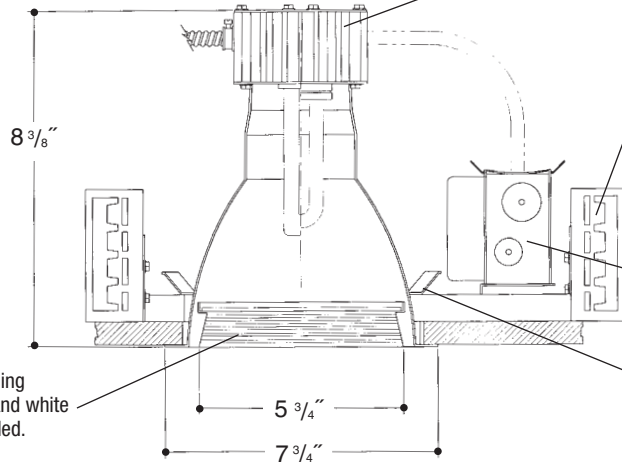
Type _____



**7" V.F. 1 LT
LENSED BAFFLED**

Electronic ballast, Class P, 50/60 HZ-120/277, Programmed Start, thermally protected, 98% Power Factor, 1.00 Ballast Factor, <10% THD, Class A sound rated. Minimum starting temperature -18°C/0°F. Magnetic ballast, High Power Factor, thermally protected, minimum starting temperature 10°C/50°F. *UL Listed component.*

Heavy gauge spun aluminum low iridescent reflector with self trimming flanged baffled splay/lens holder and white painted flange. Safety chain provided.



Aluminum heat sink socket cup with Zinc plated steel hardware and spring steel clips for fast assembly. *UL Listed* socket.

Adjustable height electrogalvanized plated steel mounting ears with cutouts for various mounting methods. Standard bars (included) are innovative and incorporate rigid formed cross sections, joist positioning tabs, integral nails, auxiliary nailholes, T-Bar slots and holes for locking bars to T-Bar using #8 self-tapping screws (by others). Bars extend 14"-24". Ears will also accept Caddy Bar #520 for fast installation in T-Bar ceilings, bars extend 27".

Heavy gauge electrogalvanized steel junction box, prewired and grounded with easy access from below, listed for through branch circuit wiring.

Electrogalvanized plated steel frame.

Rough in Kit – 7" Vertical Fluorescent 1-Lamp (Compact Fluorescent Twin, Quad or Triple Tube)

Catalog Number **A7VF1**

A7VF1

Wattage

Ballast

Voltage

Options

42W MAX. PLT
32W PLT
26W DTT, PLT
18W DTT, PLT
13"W TT, DTT

E
H
DA
DL

1
2
3
4

EM
F
R
PR

Ballast

E Electronic (4 Pin Lamp)
H High Power Factor (2 Pin Lamp)
DA Dimming - Advance Mark X (4 Pin Lamp)
DL Dimming - Lutron (4 Pin Lamp)
***** 13W Advance Mark VII Only

Voltage

1 120 Volts
2 277 Volts
3 347 Volts (Electronic Ballast Only)
4 208 Volts (Electronic Ballast Only)

Options ▲

EM Emergency Battery
F Fused
R Remodeler
PR Plaster Ring

2-Lamp Not Available in Triple Tube

2-Lamp – Replace A7VF1 with A7VF2

Electronic Multi-Tap Ballast 120V Thru 277V Factory Standard

Finishing Kit – 7" Vertical Fluorescent Lensed Reflector - clear reflector standard with Black or White Baffled Splay

Catalog Number **72**

72

Lens

Finish

Options

7221 - Tempered Clear Lens
7224 - Tempered Prismatic Lens (C73 Pattern)
7226 - Fresnel Lens
7228 - Flat Alba Lens
7229 - Drop Opal lens

SCL/BL
SCL/WH
WHT/WH
WHT/BL

DGSK

Finish (Factory Standard)

SCL/BL Specular Clear "Alzak" with Black Baffled Splay
SCL/WH Specular Clear "Alzak" with White Baffled Splay
WHT/WH White Reflector with White Baffled Splay
WHT/BL White Reflector with Black Baffled Splay

Options ▲

DGSK Neoprene Foam Double Gasketing

Features

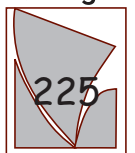
Manufactured and Listed to UL 1598, ETL and CSA standards. Suitable for Damp Locations Wet location under covered ceiling



▲ See Options and Finishes pages for a list of additional finishes and equipment.

Vantage reserves the right to change components, finishes or design details in any manner which does not alter the installed appearance or reduce performance and intended function.

Vantage



Luminaires

76 Community Avenue Plainfield, CT 06374

voice (860)564.4512 fax (860)564.4854

www.vantageitg.com

02/09