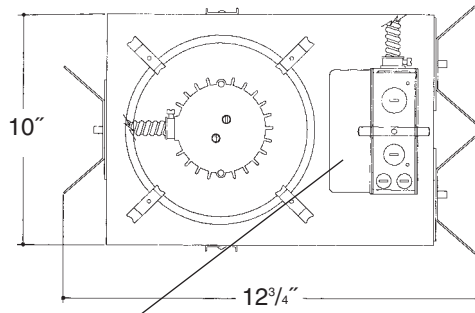


A r c h i t e c t u r a l G r a d e

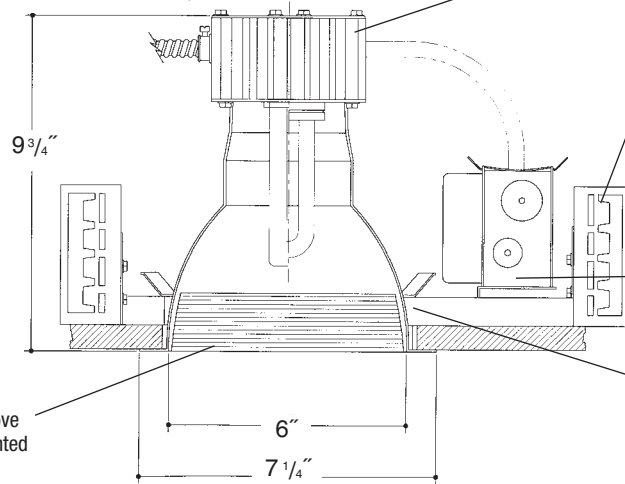
Job Name _____

Type _____



6" V.F. 1 LT OPEN BAFFLED

Electronic ballast, Class P, 50/60 HZ-120/277, Programmed Start, thermally protected, 98% Power Factor, 1.00 Ballast Factor, <10% THD, Class A sound rated. Minimum starting temperature -18°C/0°F. Magnetic ballast, High Power Factor, thermally protected, minimum starting temperature 10°C/50°F. *UL Listed component.*



Aluminum heat sink socket cup with Zinc plated steel hardware and spring steel clips for fast assembly. *UL Listed socket.*

Adjustable height electrogalvanized plated steel mounting ears with cutouts for various mounting methods. Standard bars (included) are innovative and incorporate rigid formed cross sections, joist positioning tabs, integral nails, auxiliary nailholes, T-Bar slots and holes for locking bars to T-Bar using #8 self-tapping screws (by others). Bars extend 14"-24". Ears will also accept Caddy Bar #520 for fast installation in T-Bar ceilings, bars extend 27".

Heavy gauge electrogalvanized steel junction box, prewired and grounded with easy access from below, listed for through branch circuit wiring.

Electrogalvanized plated steel frame.

Heavy gauge spun aluminum low iridescent reflector with multi-groove baffle and self trimming white painted flange. Polished Flange available.

Rough in Kit – 6" Vertical Fluorescent 1-Lamp (Compact Fluorescent Twin, Quad or Triple Tube)

Catalog Number **A6VF1**

A6VF1

Wattage	Ballast	Voltage	Options
42W MAX. PLT	E	1	EM
32W PLT	H	2	F
26W DTT, PLT	DA	3	R
18W DTT, PLT	DL	4	PR
13*W TT, DTT			EMI

Ballast		
E	Electronic	(4 Pin Lamp)
H	High Power Factor	(2 Pin Lamp)
DA	Dimming - Advance Mark X	(4 Pin Lamp)
DL	Dimming - Lutron	(4 Pin Lamp)
*	13W Advance Mark VII Only	
Voltage		
1	120 Volts	
2	277 Volts	
3	347 Volts (Electronic Ballast Only)	
4	208 Volts (Electronic Ballast Only)	
Options ▲		
EM	Emergency Battery	
F	Fused	
R	Remodeler	
PR	Plaster Ring	
EMI	Internal Mounted Emergency Test Switch	

2-Lamp Not Available in Triple Tube

2-Lamp – Replace A6VF1 with A6VF2

Electronic Multi-Tap Ballast 120V Thru 277V Factory Standard

Finishing Kit – 6" Vertical Fluorescent Open Baffled Reflector

Catalog Number **6052**

6052

Finish	Options
SCL/BL	PF
SGO/BL	GSK
SCL/WH	
SGO/WH	
WHT/WH	
WHT/BL	

Finish (Factory Standard)

SCL/BL	Specular Clear "Alzak" with White Flange and Black Baffle
SGO/BL	Specular Gold "Alzak" with White Flange and Black Baffle
SCL/WH	Specular Clear "Alzak" with White Flange and White Baffle
SGO/WH	Specular Gold "Alzak" with White Flange and White Baffle
WHT/WH	White Reflector with White Flange and White Baffle
WHT/BL	White Reflector with White Flange and Black Baffle

Options ▲

PF	High Polished Flange
GSK	Neoprene Foam Single Gasketing

Features

Manufactured and Listed to UL 1598, ETL and CSA standards. Suitable for Damp Locations Wet location under covered ceiling



▲ See Options and Finishes pages for a list of additional finishes and equipment.

Vantage reserves the right to change components, finishes or design details in any manner which does not alter the installed appearance or reduce performance and intended function.

06/07

Vantage



Luminaires

76 Community Avenue Plainfield, CT 06374

voice (860)564.4512 fax (860)564.4854

www.vantageitg.com

Photometric Information

Product Number: A6VF126E1/6052SCL/BL
Frame In Kit: 6" Vertical Mount Fluorescent
Reflector: 6" Vertical Clear "Alzak" Reflector with Black Baffle
LTL Test Number: 06128
Lamp(s) Source: (1) 26W DTT 4pin lamp rated at 1800 lumens
Total Luminaire Efficiency: 32.5%
CIE Type: Direct
Luminaire Spacing Criterion: 0.9
Luminous Diameter: 5.875

Zonal Lumen Summary

ZONE	LUMENS	%LAMP	%FIXTURE
0- 30	331	18.4	56.6
0- 40	469	26.1	80.3
0- 60	584	32.5	100.0
0- 90	584	32.5	100.0
90-180	0	0.0	0.0
0-180	584	32.5	100.0

Cone of Light

Ft. Below	Fc Nadir	Dia @50%
6.0	14.6	5.5
8.0	8.2	7.4
10.0	5.3	9.2
12.0	3.7	11.0
14.0	2.7	12.9
16.0	2.1	14.7

Coefficients of Utilization

RC	80				70				50				30				10				0
	70	50	30	10	70	50	30	10	50	30	10	50	30	10	50	30	10				
0	39	39	39	39	38	38	38	38	36	36	36	35	35	35	33	33	33	32			
1	37	36	35	34	36	35	34	34	34	33	33	33	32	32	32	31	31	30			
2	35	33	32	31	34	33	31	30	32	31	30	31	30	29	30	29	29	28			
3	33	31	29	28	32	30	29	28	30	28	27	29	28	27	28	27	26	26			
4	31	29	27	25	31	28	26	25	27	26	25	27	26	24	26	25	24	24			
5	29	26	24	23	29	26	24	23	26	24	23	25	24	22	24	23	22	22			
6	28	25	23	21	27	24	22	21	24	22	21	23	22	21	23	22	21	20			
7	26	23	21	19	26	23	21	19	22	20	19	22	20	19	21	20	19	18			
8	24	21	19	17	24	21	19	17	20	19	17	20	18	17	20	18	17	17			
9	23	19	17	16	22	19	17	16	19	17	16	18	17	16	18	17	16	15			
10	21	18	16	14	21	18	16	14	17	16	14	17	15	14	17	15	14	14			

