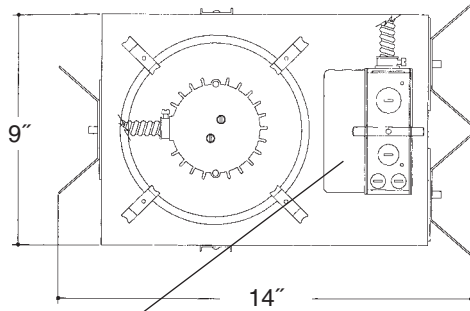


Architectural Grade

Job Name _____

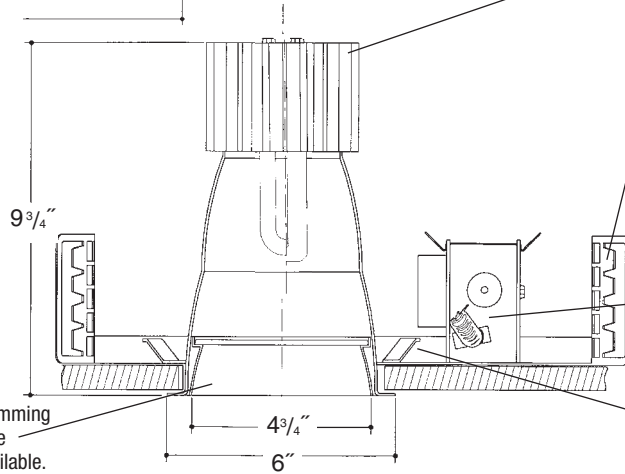
Type _____



**5" V.F. 1 LT
DEEP LENSED**

Electronic ballast, Class P, 50/60 HZ-120/277, Programmed Start, thermally protected, 98% Power Factor, 1.00 Ballast Factor, <10% THD, Class A sound rated. Minimum starting temperature -18°C/0°F.
Magnetic ballast, High Power Factor, thermally protected, minimum starting temperature 10°C/50°F.
UL Listed component.

Heavy gauge spun aluminum deep low iridescent reflector with self trimming flanged splay/lens holder with white painted flange. Polished Flange available.



Aluminum heat sink socket cup with Zinc plated steel hardware and spring steel clips for fast assembly. *UL Listed* socket.

Adjustable height electrogalvanized plated steel mounting ears with cutouts for various mounting methods. Standard bars (included) are innovative and incorporate rigid formed cross sections, joist positioning tabs, integral nails, auxiliary nailholes, T-Bar slots and holes for locking bars to T-Bar using #8 self-tapping screws (by others). Bars extend 14"-24". Ears will also accept Caddy Bar #520 for fast installation in T-Bar ceilings, bars extend 27".

Heavy gauge electrogalvanized steel junction box, prewired and grounded with easy access from below, listed for through branch circuit wiring.

Electrogalvanized plated steel frame.

Rough in Kit – 5" Vertical Fluorescent 1-Lamp (Compact Fluorescent Quad or Triple Tube)

Catalog Number **A5VF1**

A5VF1	Wattage	Ballast	Voltage	Options
	18W MAX. DTT, PLT 13*W DTT	E H DA DL	1 2 3 4	EM F R PR

Ballast	E Electronic (4 Pin Lamp)
	H High Power Factor (2 Pin Lamp)
	DA Dimming - Advance Mark X (4 Pin Lamp)
	DL Dimming - Lutron (4 Pin Lamp)
	* 13W Advance Mark VII Only
Voltage	1 120 Volts
	2 277 Volts
	3 347 Volts (Electronic Ballast Only)
	4 208 Volts (Electronic Ballast Only)
Options ▲	EM Emergency Battery
	F Fused
	R Remodeler
	PR Plaster Ring

2-Lamp Not Available in Triple Tube

2-Lamp – Replace A5VF1 with A5VF2

Electronic Multi-Tap Ballast 120V Thru 277V Factory Standard

Finishing Kit – 5" Vertical Fluorescent Deep Lensed Reflector – clear reflector standard with self trim flange

Catalog Number **55**

55	Lens	Finish	Options
	5511 - Tempered Clear Lens 5514 - Tempered Prismatic Lens (C73 Pattern) 5516 - Fresnel Lens	SCL SGO WHT	PF DGSK

Finish (Factory Standard)	SCL Specular Clear "Alzak" Splay with White Flange
	SGO Specular Gold "Alzak" Splay with White Flange
	WHT White Splay with White Flange
Options ▲	PF High Polished Flange
	DGSK Neoprene Foam Double Gasketing

Features

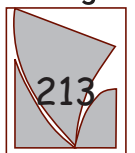
Manufactured and Listed to UL 1598, ETL and CSA standards.
Suitable for Damp Locations
Wet location under covered ceiling



▲ See Options and Finishes pages for a list of additional finishes and equipment.

Vantage reserves the right to change components, finishes or design details in any manner which does not alter the installed appearance or reduce performance and intended function.

Vantage



Luminaires

76 Community Avenue Plainfield, CT 06374
voice (860)564.4512 fax (860)564.4854
www.vantageitg.com

07/07