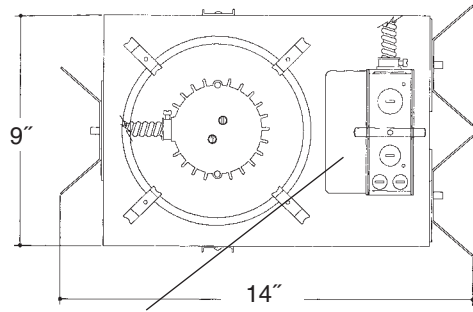


# Architectural Grade

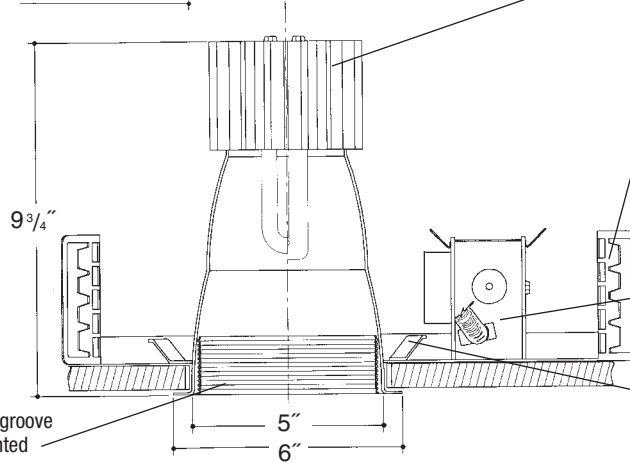
Job Name \_\_\_\_\_

Type \_\_\_\_\_



Electronic ballast, Class P, 50/60 HZ-120/277, Programmed Start, thermally protected, 98% Power Factor, 1.00 Ballast Factor, <10% THD, Class A sound rated. Minimum starting temperature -18°C/0°F. Magnetic ballast, High Power Factor, thermally protected, minimum starting temperature 10°C/50°F. *UL Listed component.*

Heavy gauge spun aluminum deep low iridescent reflector with multi-groove baffle and self trimming white painted flange. Polished Flange available.



## 5" V.F. 1 LT DEEP OPEN BAFFLED

Aluminum heat sink socket cup with Zinc plated steel hardware and spring steel clips for fast assembly. *UL Listed* socket.

Adjustable height electrogalvanized plated steel mounting ears with cutouts for various mounting methods. Standard bars (included) are innovative and incorporate rigid formed cross sections, joist positioning tabs, integral nails, auxiliary nailholes, T-Bar slots and holes for locking bars to T-Bar using #8 self-tapping screws (by others). Bars extend 14"-24". Ears will also accept Caddy Bar #520 for fast installation in T-Bar ceilings, bars extend 27".

Heavy gauge electrogalvanized steel junction box, prewired and grounded with easy access from below, listed for through branch circuit wiring.

Electrogalvanized plated steel frame.

### Rough in Kit – 5" Vertical Fluorescent 1-Lamp (Compact Fluorescent Quad or Triple Tube)

Catalog Number **A5VF1**

**A5VF1**

**Wattage**

**Ballast**

**Voltage**

**Options**

42W MAX. PLT  
32W PLT  
26W DTT, PLT  
18W DTT, PLT  
13\*W DTT

E  
H  
DA  
DL

1  
2  
3  
4

EM  
F  
R  
PR  
EMI

Ballast

**E** Electronic (4 Pin Lamp)  
**H** High Power Factor (2 Pin Lamp)  
**DA** Dimming - Advance Mark X (4 Pin Lamp)  
**DL** Dimming - Lutron (4 Pin Lamp)  
**\*** 13W Advance Mark VII Only

Voltage

**1** 120 Volts  
**2** 277 Volts  
**3** 347 Volts (Electronic Ballast Only)  
**4** 208 Volts (Electronic Ballast Only)

Options ▲

**EM** Emergency Battery  
**F** Fused  
**R** Remodeler  
**PR** Plaster Ring  
**EMI** Internal Mounted Emergency Test Switch

**2-Lamp Not Available in Triple Tube**

**2-Lamp – Replace A5VF1 with A5VF2**

Electronic Multi-Tap Ballast 120V Thru 277V Factory Standard

### Finishing Kit – 5" Vertical Fluorescent Deep Open Baffled Reflector

Catalog Number **5550**

**5550**

**Finish**

**Options**

SCL/BL  
SGO/BL  
SCL/WH  
SGO/WH  
WHT/WH  
WHT/BL

PF  
GSK

Finish (Factory Standard)

**SCL/BL** Specular Clear "Alzak" with White Flange and Black Baffle  
**SGO/BL** Specular Gold "Alzak" with White Flange and Black Baffle  
**SCL/WH** Specular Clear "Alzak" with White Flange and White Baffle  
**SGO/WH** Specular Gold "Alzak" with White Flange and White Baffle  
**WHT/WH** White Reflector with White Baffle  
**WHT/BL** White Reflector with Black Baffle

Options ▲

**PF** High Polished Flange  
**GSK** Neoprene Foam Single Gasketing

### Features

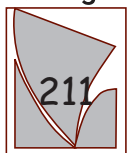
Manufactured and Listed to UL 1598, ETL and CSA standards. Suitable for Damp Locations Wet location under covered ceiling



▲ See Options and Finishes pages for a list of additional finishes and equipment.

Vantage reserves the right to change components, finishes or design details in any manner which does not alter the installed appearance or reduce performance and intended function.

Vantage



Luminaires

76 Community Avenue Plainfield, CT 06374

voice (860)564.4512 fax (860)564.4854

www.vantageitg.com

06/07

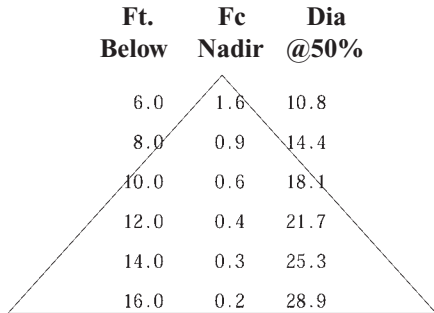
# Photometric Information

**Product Number:** A5VF113E1/5550SCL/BL  
**Frame In Kit:** 5" Vertical Mount Quad Tube Fluorescent  
**Reflector:** 5" Vertical Tall Clear "Alzak" Reflector with Black Baffle  
**LTL Test Number:** 06659  
**Lamp(s) Source:** (1) 13W 4pin lamp rated at 900 lumens  
**Total Luminaire Efficiency:** 21.2%  
**CIE Type:** Direct  
**Luminaire Spacing Criterion:** 1.8/1.8  
**Luminous Diameter:** 4.875

### Zonal Lumen Summary

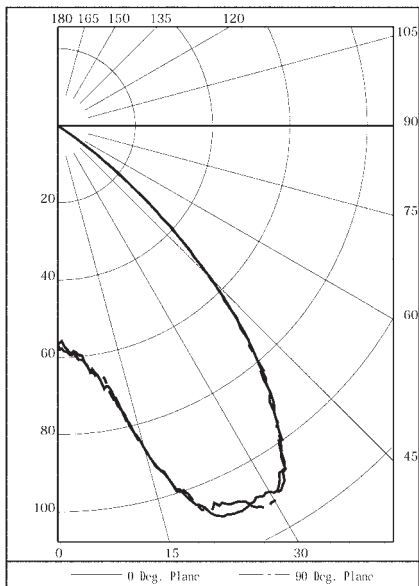
ZONE	LUMENS	%LAMP	%FIXTURE
0- 30	82	9.1	43.1
0- 40	143	15.9	74.7
0- 60	191	21.2	100.0
0- 90	191	21.2	100.0
90-180	0	0.0	0.0
0-180	191	21.2	100.0

### Cone of Light



### Coefficients of Utilization

RC	80				70				50				30				10				0
RW	70	50	30	10	70	50	30	10	50	30	10	50	30	10	50	30	10	50	30	10	0
0	25	25	25	25	25	25	25	25	24	24	24	23	23	23	22	22	22	21	21	21	0
1	24	23	23	22	23	23	22	22	22	22	21	21	21	20	20	20	20	20	20	20	0
2	23	21	21	20	22	21	20	19	20	20	19	20	19	19	19	18	18	18	18	18	0
3	21	20	19	18	21	19	18	17	19	18	17	18	17	18	17	17	17	17	17	17	0
4	20	18	17	16	19	18	17	16	17	16	15	17	16	15	16	15	15	15	15	15	0
5	19	17	15	14	18	16	15	14	16	15	14	16	14	14	15	14	14	14	14	14	0
6	17	15	14	13	17	15	14	13	15	13	12	14	13	12	14	13	12	12	12	12	0
7	16	14	12	11	16	14	12	11	13	12	11	13	12	11	13	12	11	11	11	11	0
8	15	12	11	10	15	12	11	10	12	11	10	12	11	10	12	11	10	10	10	10	0
9	14	11	10	9	13	11	10	9	11	10	9	11	9	9	10	9	8	8	8	8	0
10	13	10	9	8	12	10	9	8	10	9	8	10	8	8	9	8	8	7	7	7	0

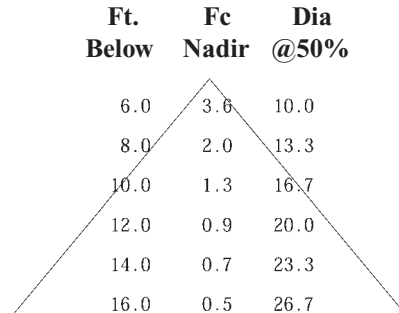


**Product Number:** A5VF213E1/5550SCL/BL  
**Frame In Kit:** 5" Vertical Mount Quad Tube Fluorescent  
**Reflector:** 5" Vertical Tall Clear "Alzak" Reflector with Black Baffle  
**LTL Test Number:** 06655  
**Lamp(s) Source:** (2) 13W 4pin lamps rated at 900 lumens  
**Total Luminaire Efficiency:** 19.4%  
**CIE Type:** Direct  
**Luminaire Spacing Criterion:** 1.7/1.6  
**Luminous Diameter:** 4.875

### Zonal Lumen Summary

ZONE	LUMENS	%LAMP	%FIXTURE
0- 30	156	8.7	44.8
0- 40	260	14.5	74.7
0- 60	348	19.4	100.0
0- 90	348	19.4	100.0
90-180	0	0.0	0.0
0-180	348	19.4	100.0

### Cone of Light



### Coefficients of Utilization

RC	80				70				50				30				10				0
RW	70	50	30	10	70	50	30	10	50	30	10	50	30	10	50	30	10	50	30	10	0
0	23	23	23	23	23	23	23	23	22	22	22	21	21	21	20	20	20	19	19	19	0
1	22	21	21	20	21	21	20	20	20	20	19	19	19	19	19	18	18	18	18	18	0
2	21	20	19	18	20	19	18	17	19	18	17	18	17	18	17	17	17	17	17	17	0
3	19	18	17	16	19	18	17	16	17	16	16	17	16	16	16	16	16	16	16	16	0
4	18	17	15	14	18	16	15	14	16	15	14	16	15	14	15	14	14	14	14	14	0
5	17	15	14	13	17	15	14	13	15	14	13	14	13	13	14	13	13	13	13	13	0
6	16	14	13	12	16	14	13	12	14	12	12	13	12	12	13	12	12	12	12	12	0
7	15	13	11	10	15	13	11	10	12	11	10	12	11	10	12	11	10	10	10	10	0
8	14	12	10	9	14	11	10	9	11	10	9	11	10	9	11	10	9	9	9	9	0
9	13	10	9	8	12	10	9	8	10	9	8	10	9	8	10	9	8	8	8	8	0
10	12	9	8	7	12	9	8	7	9	8	7	9	8	7	9	8	7	7	7	7	0

