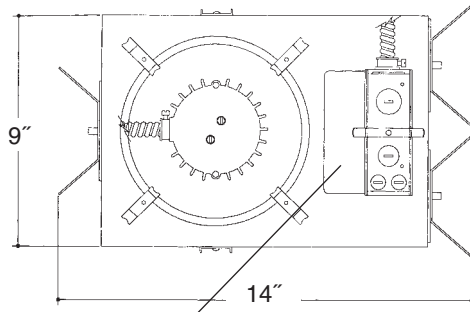


Architectural Grade

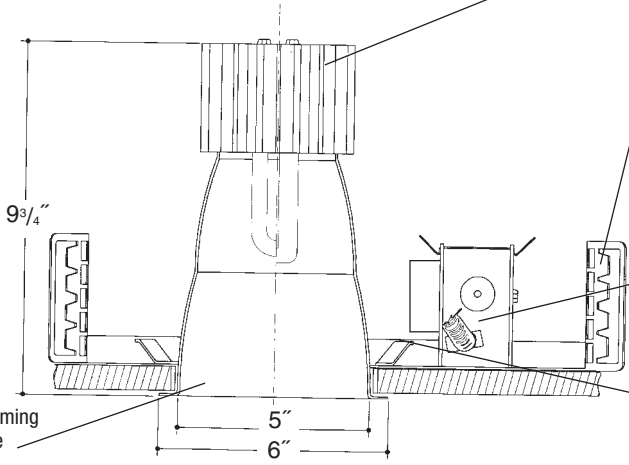
Job Name _____

Type _____



**5" V.F. 1 LT
DEEP OPEN**

Electronic ballast, Class P, 50/60 HZ-120/277, Programmed Start, thermally protected, 98% Power Factor, 1.00 Ballast Factor, <10% THD, Class A sound rated. Minimum starting temperature -18°C/0°F.
Magnetic ballast, High Power Factor, thermally protected, minimum starting temperature 10°C/50°F.
UL Listed component.



Aluminum heat sink socket cup with Zinc plated steel hardware and spring steel clips for fast assembly. *UL Listed* socket.

Adjustable height electrogalvanized plated steel mounting ears with cutouts for various mounting methods. Standard bars (included) are innovative and incorporate rigid formed cross sections, joist positioning tabs, integral nails, auxiliary nailholes, T-Bar slots and holes for locking bars to T-Bar using #8 self-tapping screws (by others). Bars extend 14"-24". Ears will also accept Caddy Bar #520 for fast installation in T-Bar ceilings, bars extend 27".

Heavy gauge electrogalvanized steel junction box, prewired and grounded with easy access from below, listed for through branch circuit wiring.

Heavy gauge spun aluminum deep low iridescent reflector with self trimming white painted flange. Polished Flange available.

Electrogalvanized plated steel frame.

Rough in Kit – 5" Vertical Fluorescent 1-Lamp (Compact Fluorescent Quad or Triple Tube)

Catalog Number **A5VF1**

A5VF1	Wattage	Ballast	Voltage	Options
	42W MAX. PLT	E	1	EM
	32W PLT	H	2	F
	26W DTT, PLT	DA	3	R
	18W DTT, PLT	DL	4	PR
	13"W DTT			EMI

Ballast		
E	Electronic	(4 Pin Lamp)
H	High Power Factor	(2 Pin Lamp)
DA	Dimming - Advance Mark X	(4 Pin Lamp)
DL	Dimming - Lutron	(4 Pin Lamp)
*	13W Advance Mark VII Only	
Voltage		
1	120 Volts	
2	277 Volts	
3	347 Volts (Electronic Ballast Only)	
4	208 Volts (Electronic Ballast Only)	
Options ▲		
EM	Emergency Battery	
F	Fused	
R	Remodeler	
PR	Plaster Ring	
EMI	Internal Mounted Emergency Test Switch	

2-Lamp Not Available in Triple Tube
2-Lamp – Replace A5VF1 with A5VF2
Electronic Multi-Tap Ballast 120V Thru 277V Factory Standard

Finishing Kit – 5" Vertical Fluorescent Deep Open Reflector

Catalog Number **5500**

5500	Finish	Options
	SCL	PF
	SGO	GSK
	WHT	

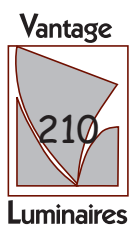
Finish (Factory Standard)	
SCL	Specular Clear "Alzak" Reflector with White Flange
SGO	Specular Gold "Alzak" Reflector with White Flange
WHT	White Reflector with White Flange
Options ▲	
PF	High Polished Flange
GSK	Neoprene Foam Single Gasketing

Features

Manufactured and Listed to UL 1598, ETL and CSA standards.
Suitable for Damp Locations
Wet location under covered ceiling



▲ See Options and Finishes pages for a list of additional finishes and equipment.
Vantage reserves the right to change components, finishes or design details in any manner which does not alter the installed appearance or reduce performance and intended function.



76 Community Avenue Plainfield, CT 06374
voice (860)564.4512 fax (860)564.4854
www.vantageitg.com

06/07

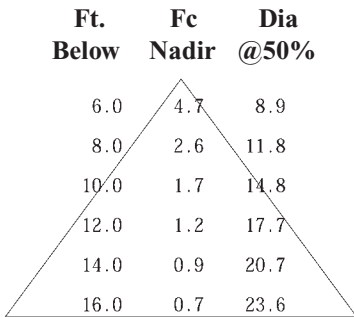
Photometric Information

Product Number: A5VF113E1/5500SCL
Frame In Kit: 5" Vertical Mount Quad Tube Fluorescent
Reflector: 5" Vertical Tall Clear "Alzak" Reflector
LTL Test Number: 06658
Lamp(s) Source: (1) 13W DTT 4pin lamp rated at 900 lumens
Total Luminaire Efficiency: 46.2%
CIE Type: Direct
Luminaire Spacing Criterion: 1.4
Luminous Diameter: 5.0

Zonal Lumen Summary

ZONE	LUMENS	%LAMP	%FIXTURE
0- 30	145	16.1	34.9
0- 40	248	27.6	59.7
0- 60	404	44.8	97.1
0- 90	416	46.2	100.0
90-180	0	0.0	0.0
0-180	416	46.2	100.0

Cone of Light



Coefficients of Utilization

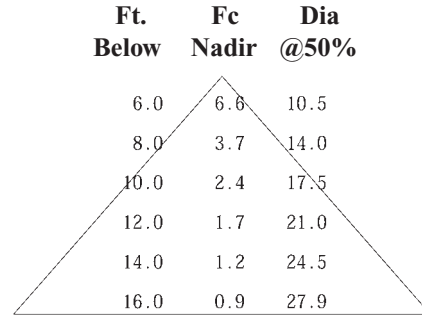
RC	80				70				50				30				10				0	
RW	70	50	30	10	70	50	30	10	50	30	10	50	30	10	50	30	10	50	30	10	0	
0	55	55	55	55	54	54	54	54	51	51	51	49	49	49	47	47	47	46	46	46	0	
1	52	50	49	48	51	49	48	47	47	46	45	46	45	44	44	43	43	42	42	41	41	40
2	49	46	43	42	47	45	43	41	43	42	40	42	41	39	41	39	38	38	39	38	37	36
3	45	42	39	36	44	41	38	36	40	37	35	38	36	35	37	36	34	34	36	34	33	32
4	42	38	34	32	41	37	34	32	36	33	31	35	33	31	34	32	31	30	32	31	30	28
5	39	34	30	28	38	33	30	28	32	30	27	32	29	27	31	29	27	26	29	27	25	25
6	36	31	27	25	35	30	27	24	29	26	24	29	26	24	28	26	24	23	27	25	23	22
7	33	28	24	21	32	27	24	21	27	24	21	26	23	21	25	23	21	20	24	22	20	19
8	30	25	21	19	30	24	21	19	24	21	18	23	20	18	23	20	18	17	21	19	17	16
9	28	22	19	16	27	22	18	16	21	18	16	21	18	16	20	18	16	15	19	17	15	14
10	26	20	17	14	25	20	16	14	19	16	14	19	16	14	19	16	14	13	17	15	13	12

Product Number: A5VF213E1/5500SCL
Frame In Kit: 5" Vertical Mount Quad Tube Fluorescent
Reflector: 5" Vertical Tall Clear "Alzak" Reflector
LTL Test Number: 06654
Lamp(s) Source: (2) 13W DTT 4pin lamps rated at 900 lumens
Total Luminaire Efficiency: 44.2%
CIE Type: Direct
Luminaire Spacing Criterion: 1.8/1.7
Luminous Diameter: 5.0

Zonal Lumen Summary

ZONE	LUMENS	%LAMP	%FIXTURE
0- 30	271	15.0	34.0
0- 40	469	26.0	58.9
0- 60	772	42.9	97.0
0- 90	795	44.2	100.0
90-180	0	0.0	0.0
0-180	795	44.2	100.0

Cone of Light



Coefficients of Utilization

RC	80				70				50				30				10				0	
RW	70	50	30	10	70	50	30	10	50	30	10	50	30	10	50	30	10	50	30	10	0	
0	53	53	53	53	51	51	51	51	49	49	49	47	47	47	45	45	45	44	44	44	44	44
1	49	48	47	45	48	47	46	45	45	44	43	43	43	42	42	41	41	40	40	41	41	40
2	46	44	41	40	45	43	41	39	41	40	38	40	39	37	39	38	37	36	37	37	36	36
3	43	40	37	35	42	39	36	34	38	35	34	37	35	33	35	34	33	32	34	33	32	32
4	40	36	33	30	39	35	32	30	34	32	30	33	31	29	32	30	29	28	31	29	28	28
5	37	32	29	26	36	32	29	26	31	28	26	30	28	26	29	27	25	25	28	27	25	25
6	34	29	26	23	33	29	25	23	28	25	23	27	25	23	27	25	23	22	26	24	23	22
7	31	26	23	20	31	26	22	20	25	22	20	24	22	20	24	22	20	19	23	22	20	19
8	29	23	20	17	28	23	20	17	22	19	17	22	19	17	21	19	17	16	21	19	17	16
9	26	21	17	15	26	21	17	15	20	17	15	20	17	15	19	17	15	14	18	17	15	14
10	24	19	15	13	24	19	15	13	18	15	13	18	15	13	17	15	13	12	16	15	13	12

