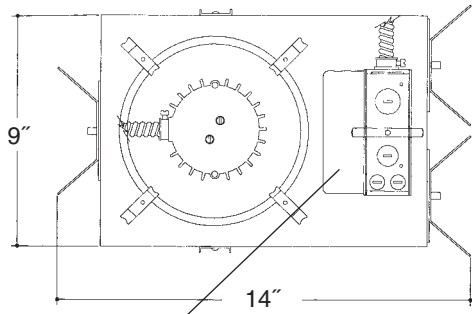


# Architectural Grade

Job Name \_\_\_\_\_

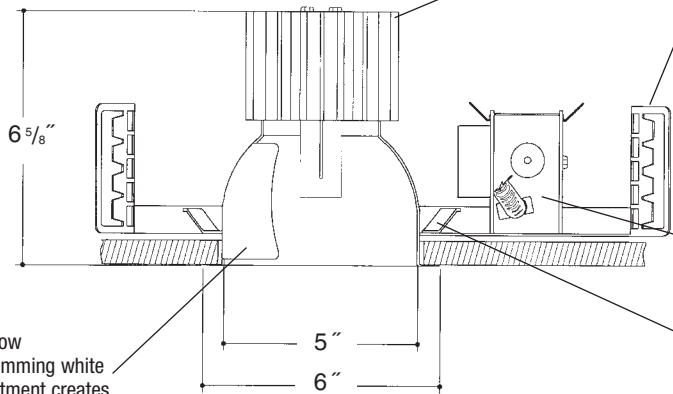
Type \_\_\_\_\_



## 5" V.F. 1 LT SHALLOW OPEN WALL WASH

Electronic ballast, Class P, 50/60 HZ-120/277, Programmed Start, thermally protected, 98% Power Factor, 1.00 Ballast Factor, <10% THD, Class A sound rated. Minimum starting temperature -18°C/0°F. Magnetic ballast, High Power Factor, thermally protected, minimum starting temperature 10°C/50°F. *UL Listed* component.

Heavy gauge spun aluminum low iridescent reflector with self trimming white painted flange. Soft Finish treatment creates wall wash. Polished Flange available.



Aluminum heat sink socket cup with Zinc plated steel hardware and spring steel clips for fast assembly. *UL Listed* socket.

Adjustable height electrogalvanized plated steel mounting ears with cutouts for various mounting methods. Standard bars (included) are innovative and incorporate rigid formed cross sections, joist positioning tabs, integral nails, auxiliary nailholes, T-Bar slots and holes for locking bars to T-Bar using #8 self-tapping screws (by others). Bars extend 14"-24". Ears will also accept Caddy Bar #520 for fast installation in T-Bar ceilings, bars extend 27".

Heavy gauge electrogalvanized steel junction box, prewired and grounded with easy access from below, listed for through branch circuit wiring.

Electrogalvanized plated steel frame.

### Rough in Kit – 5" Vertical Fluorescent 1-Lamp (Compact Fluorescent Quad Tube)

Catalog Number **A5VF1**

| A5VF1 | Wattage       | Ballast       | Voltage          | Options                   |
|-------|---------------|---------------|------------------|---------------------------|
|       | 13*W MAX. DTT | E<br>H<br>DA7 | 1<br>2<br>3<br>4 | EM<br>F<br>R<br>PR<br>EMI |

|           |     |  |              |
|-----------|-----|--|--------------|
| Ballast   | E   | Electronic                             | (4 Pin Lamp) |
|           | H   | High Power Factor                      | (2 Pin Lamp) |
|           | DA7 | Dimming - Advance Mark VII             | (4 Pin Lamp) |
|           | *   | 13W Advance Mark VII Only              |              |
| Voltage   | 1   | 120 Volts                              |              |
|           | 2   | 277 Volts                              |              |
|           | 3   | 347 Volts (Electronic Ballast Only)    |              |
|           | 4   | 208 Volts (Electronic Ballast Only)    |              |
| Options ▲ | EM  | Emergency Battery                      |              |
|           | F   | Fused                                  |              |
|           | R   | Remodeler                              |              |
|           | PR  | Plaster Ring                           |              |
|           | EMI | Internal Mounted Emergency Test Switch |              |

### 2-Lamp – Replace A5VF1 with A5VF2

Electronic Multi-Tap Ballast 120V Thru 277V Factory Standard

### Finishing Kit – 5" Vertical Fluorescent Open Reflector Downlight Wall Washer

Catalog Number **5310**

| 5310 | Finish     | Options   |
|------|------------|-----------|
|      | SCL<br>SGO | PF<br>GSK |

|                           |     |  |
|---------------------------|-----|--|
| Finish (Factory Standard) | SCL | Specular Clear "Alzak" Reflector with White Flange |
|                           | SGO | Specular Gold "Alzak" Reflector with White Flange  |
| Options ▲                 | PF  | High Polished Flange                               |
|                           | GSK | Neoprene Foam Single Gasketing                     |

### Features

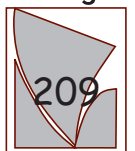
Manufactured and Listed to UL 1598, ETL and CSA standards. Suitable for Damp Locations. Wet location under covered ceiling



▲ See Options and Finishes pages for a list of additional finishes and equipment.

Vantage reserves the right to change components, finishes or design details in any manner which does not alter the installed appearance or reduce performance and intended function.

Vantage



Luminaires

76 Community Avenue Plainfield, CT 06374  
 voice (860)564.4512 fax (860)564.4854  
 www.vantageitg.com

01/10