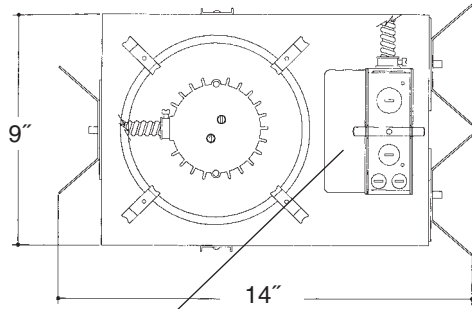


Architectural Grade

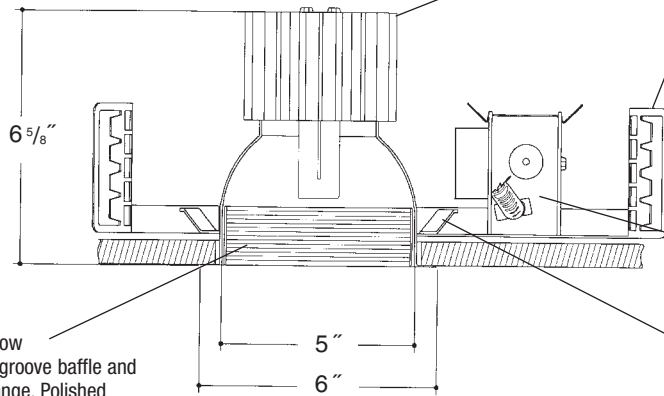
Job Name _____

Type _____



5" V.F. 1 LT SHALLOW BAFFLED

Electronic ballast, Class P, 50/60 HZ-120/277, Programmed Start, thermally protected, 98% Power Factor, 1.00 Ballast Factor, <10% THD, Class A sound rated. Minimum starting temperature -18°C/0°F. Magnetic ballast, High Power Factor, thermally protected, minimum starting temperature 10°C/50°F. *UL Listed component.*



Aluminum heat sink socket cup with Zinc plated steel hardware and spring steel clips for fast assembly. *UL Listed* socket.

Adjustable height electrogalvanized plated steel mounting ears with cutouts for various mounting methods. Standard bars (included) are innovative and incorporate rigid formed cross sections, joist positioning tabs, integral nails, auxiliary nailholes, T-Bar slots and holes for locking bars to T-Bar using #8 self-tapping screws (by others). Bars extend 14"-24". Ears will also accept Caddy Bar #520 for fast installation in T-Bar ceilings, bars extend 27".

Heavy gauge electrogalvanized steel junction box, prewired and grounded with easy access from below, listed for through branch circuit wiring.

Electrogalvanized plated steel frame.

Heavy gauge spun aluminum low iridescent reflector with multi-groove baffle and self trimming white painted flange. Polished Flange available.

Rough in Kit – 5" Vertical Fluorescent 1-Lamp (Compact Fluorescent Quad Tube)

Catalog Number **A5VF1**

A5VF1	Wattage	Ballast	Voltage	Options
	13"W MAX. DTT	E H DA7	1 2 3 4	EM F R PR EMI

Ballast		
E	Electronic	(4 Pin Lamp)
H	High Power Factor	(2 Pin Lamp)
DA7	Dimming - Advance Mark VII	(4 Pin Lamp)
*	13W Advance Mark VII Only	
Voltage		
1	120 Volts	
2	277 Volts	
3	347 Volts (Electronic Ballast Only)	
4	208 Volts (Electronic Ballast Only)	
Options ▲		
EM	Emergency Battery	
F	Fused	
R	Remodeler	
PR	Plaster Ring	
EMI	Internal Mounted Emergency Test Switch	

2-Lamp – Replace A5VF1 with A5VF2

Electronic Multi-Tap Ballast 120V Thru 277V Factory Standard

Finishing Kit – 5" Vertical Fluorescent Shallow Open Baffled Reflector

Catalog Number **5350**

5350	Finish	Options
	SCL/BL SGO/BL SCL/WH SGO/WH WHT/WH WHT/BL	PF GSK

Finish (Factory Standard)

SCL/BL	Specular Clear "Alzak" with White Flange and Black Baffle
SGO/BL	Specular Gold "Alzak" with White Flange and Black Baffle
SCL/WH	Specular Clear "Alzak" with White Flange and White Baffle
SGO/WH	Specular Gold "Alzak" with White Flange and White Baffle
WHT/WH	White Reflector with White Flange and White Baffle
WHT/BL	White Reflector with White Flange and Black Baffle

Options ▲

PF	High Polished Flange
GSK	Neoprene Foam Single Gasketing

Features

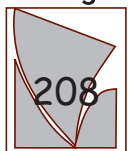
Manufactured and Listed to UL 1598, ETL and CSA standards. Suitable for Damp Locations Wet location under covered ceiling



▲ See Options and Finishes pages for a list of additional finishes and equipment.

Vantage reserves the right to change components, finishes or design details in any manner which does not alter the installed appearance or reduce performance and intended function.

Vantage



Luminaires

76 Community Avenue Plainfield, CT 06374
voice (860)564.4512 fax (860)564.4854
www.vantageitg.com

06/07

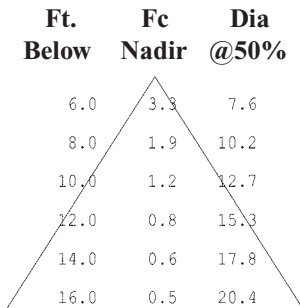
Photometric Information

Product Number: A5VF113E/5350SCL/BL
Frame In Kit: 5" Vertical Mount Quad Tube Fluorescent
Reflector: 5" Vertical Shallow Clear "Alzak" with Black Baffle
LTL Test Number: 06661
Lamp(s) Source: (1) 13W 4 Pin Lamp Rated at 900 lumens
Total Luminaire Efficiency: 26.4%
CIE Type: Direct
Luminaire Spacing Criterion: 1.3/1.3
Luminous Diameter: 4.875

Zonal Lumen Summary

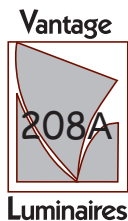
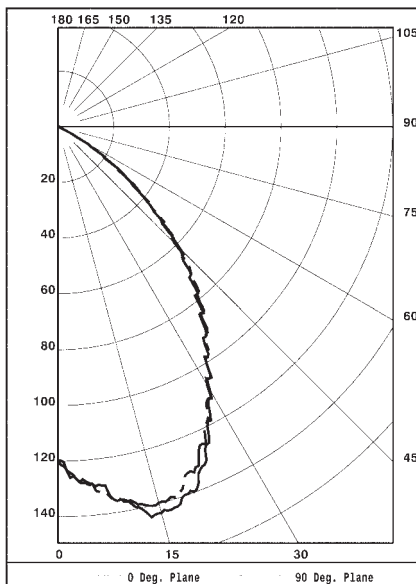
ZONE	LUMENS	%LAMP	%FIXTURE
0- 30	108	12.0	45.6
0- 40	166	18.5	70.1
0- 60	234	26.1	98.8
0- 90	237	26.4	100.0
90-180	0	0.0	0.0
0-180	237	26.4	100.0

Cone of Light



Coefficients of Utilization

RC	80			70			50			30			10			0		
RW	70	50	30	10	70	50	30	10	50	30	10	50	30	10	50	30	10	0
0	31	31	31	31	31	31	31	31	29	29	29	28	28	28	27	27	27	26
1	30	29	28	28	29	28	28	27	27	26	26	26	26	26	25	25	25	24
2	28	27	25	24	27	26	25	24	25	24	24	24	24	23	24	23	23	22
3	26	24	23	22	26	24	23	22	23	22	21	23	22	21	22	21	21	20
4	25	22	21	19	24	22	20	19	21	20	19	21	20	19	20	19	19	18
5	23	20	19	17	23	20	18	17	20	18	17	19	18	17	19	18	17	16
6	22	19	17	16	21	19	17	15	18	17	15	18	16	15	17	16	15	15
7	20	17	15	14	20	17	15	14	17	15	14	16	15	14	16	15	14	13
8	19	16	14	12	18	15	14	12	15	13	12	15	13	12	15	13	12	12
9	17	14	12	11	17	14	12	11	14	12	11	13	12	11	13	12	11	10
10	16	13	11	10	16	13	11	10	13	11	10	12	11	10	12	11	10	9

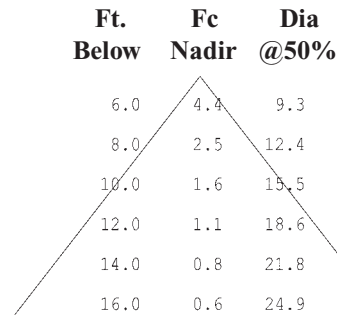


Product Number: A5VF213E/5350SCL/BL
Frame In Kit: 5" Vertical Mount Quad Tube Fluorescent
Reflector: 5" Vertical Shallow Clear "Alzak" with Black Baffle
LTL Test Number: 06657
Lamp(s) Source: (2) 13W 4 Pin Lamps Rated at 900 lumens ea.
Total Luminaire Efficiency: 23.6%
CIE Type: Direct
Luminaire Spacing Criterion: 1.6/1.5
Luminous Diameter: 4.875

Zonal Lumen Summary

ZONE	LUMENS	%LAMP	%FIXTURE
0- 30	179	9.9	42.0
0- 40	290	16.1	68.1
0- 60	418	23.2	98.2
0- 90	425	23.6	100.0
90-180	0	0.0	0.0
0-180	425	23.6	100.0

Cone of Light



Coefficients of Utilization

RC	80			70			50			30			10			0		
RW	70	50	30	10	70	50	30	10	50	30	10	50	30	10	50	30	10	0
0	28	28	28	28	28	28	28	28	26	26	26	25	25	25	24	24	24	24
1	27	26	25	25	26	25	25	24	24	24	23	23	23	23	23	22	22	22
2	25	24	23	22	24	23	22	21	23	22	21	22	21	20	21	21	20	20
3	23	22	20	19	23	21	20	19	21	20	19	20	19	18	20	19	18	18
4	22	20	18	17	21	19	18	17	19	18	17	18	17	16	18	17	16	16
5	20	18	16	15	20	18	16	15	17	16	15	17	16	15	16	15	15	14
6	19	16	15	13	19	16	15	13	16	14	13	15	14	13	15	14	13	13
7	18	15	13	12	17	15	13	12	14	13	12	14	13	12	14	13	12	11
8	16	13	12	11	16	13	12	11	13	12	10	13	11	10	13	11	10	10
9	15	12	10	9	15	12	10	9	12	10	9	12	10	9	11	10	9	9
10	14	11	9	8	14	11	9	8	11	9	8	11	9	8	10	9	8	8

