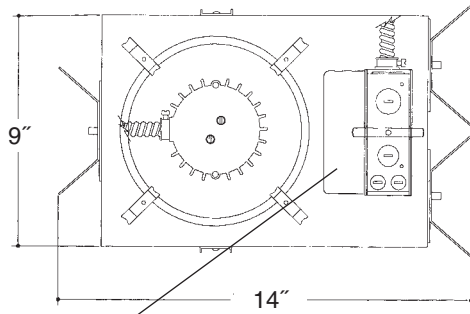


Architectural Grade

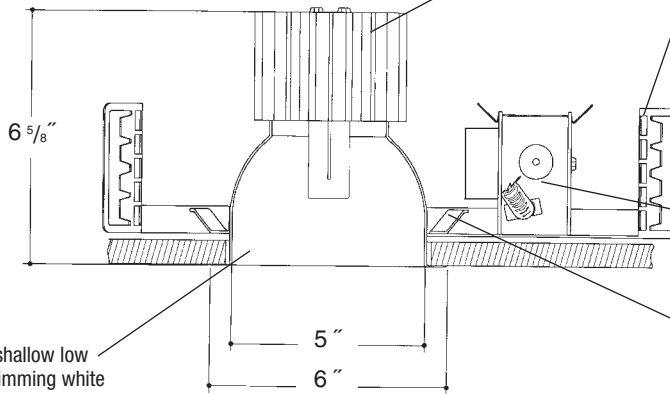
Job Name _____

Type _____



**5" V.F. 1 LT
SHALLOW OPEN**

Electronic ballast, Class P, 50/60 HZ-120/277, Programmed Start, thermally protected, 98% Power Factor, 1.00 Ballast Factor, <10% THD, Class A sound rated. Minimum starting temperature -18°C/0°F.
Magnetic ballast, High Power Factor, thermally protected, minimum starting temperature 10°C/50°F.
UL Listed component.



Aluminum heat sink socket cup with Zinc plated steel hardware and spring steel clips for fast assembly. *UL Listed* socket.

Adjustable height electrogalvanized plated steel mounting ears with cutouts for various mounting methods. Standard bars (included) are innovative and incorporate rigid formed cross sections, joist positioning tabs, integral nails, auxiliary nailholes, T-Bar slots and holes for locking bars to T-Bar using #8 self-tapping screws (by others). Bars extend 14"-24". Ears will also accept Caddy Bar #520 for fast installation in T-Bar ceilings, bars extend 27".

Heavy gauge electrogalvanized steel junction box, prewired and grounded with easy access from below, listed for through branch circuit wiring.

Electrogalvanized plated steel frame.

Heavy gauge spun aluminum shallow low iridescent reflector with self trimming white painted flange. Polished Flange available.

Rough in Kit – 5" Vertical Fluorescent 1-Lamp (Compact Fluorescent Quad Tube)

Catalog Number **A5VF1** _____

A5VF1	Wattage	Ballast	Voltage	Options
	13*W MAX. DTT	E H DA7	1 2 3 4	EM F R PR EMI

Ballast		
E	Electronic	(4 Pin Lamp)
H	High Power Factor	(2 Pin Lamp)
DA7	Dimming - Advance Mark VII	(4 Pin Lamp)
*	13W Advance Mark VII Only	
Voltage		
1	120 Volts	
2	277 Volts	
3	347 Volts (Electronic Ballast Only)	
4	208 Volts (Electronic Ballast Only)	
Options ▲		
EM	Emergency Battery	
F	Fused	
R	Remodeler	
PR	Plaster Ring	
EMI	Internal Mounted Emergency Test Switch	

2-Lamp – Replace A5VF1 with A5VF2

Electronic Multi-Tap Ballast 120V Thru 277V Factory Standard

Finishing Kit – 5" Vertical Fluorescent Shallow Open Reflector

Catalog Number **5300** _____

5300	Finish	Options
	SCL SGO WHT	PF GSK

Finish (Factory Standard)

SCL	Specular Clear "Alzak" Reflector with White Flange
SGO	Specular Gold "Alzak" Reflector with White Flange
WHT	White Reflector with White Flange

Options ▲

PF	High Polished Flange
GSK	Neoprene Foam Single Gasketing

Features

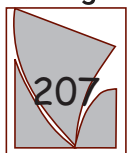
Manufactured and Listed to UL 1598, ETL and CSA standards.
Suitable for Damp Locations
Wet location under covered ceiling



▲ See Options and Finishes pages for a list of additional finishes and equipment.

Vantage reserves the right to change components, finishes or design details in any manner which does not alter the installed appearance or reduce performance and intended function.

Vantage



Luminaires

76 Community Avenue Plainfield, CT 06374
voice (860)564.4512 fax (860)564.4854
www.vantageitg.com

06/07

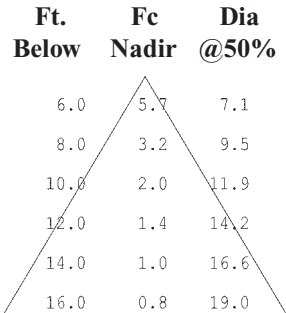
Photometric Information

Product Number: A5VF113E/5300SCL
Frame In Kit: 5" Vertical Mount Quad Tube Fluorescent
Reflector: 5" Vertical Shallow Clear "Alzak" Reflector
LTL Test Number: 06660
Lamp(s) Source: (1) 13W 4 Pin Lamp Rated at 900 lumens
Total Luminaire Efficiency: 57.9%
CIE Type: Direct
Luminaire Spacing Criterion: 1.2/1.2
Luminous Diameter: 5.000

Zonal Lumen Summary

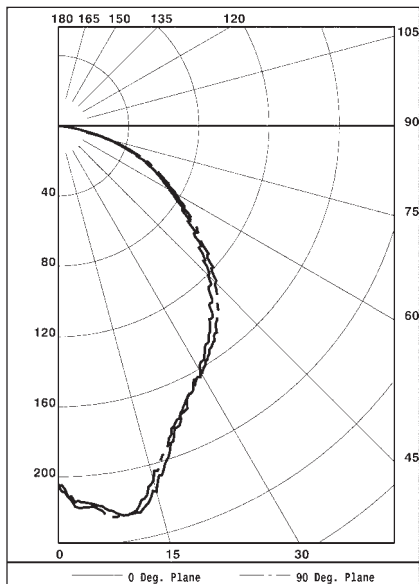
ZONE	LUMENS	%LAMP	%FIXTURE
0- 30	157	17.4	30.1
0- 40	252	27.9	48.3
0- 60	427	47.5	82.0
0- 90	521	57.9	100.0
90-180	0	0.0	0.0
0-180	521	57.9	100.0

Cone of Light



Coefficients of Utilization

RC	80				70				50				30				10				0
RW	70	50	30	10	70	50	30	10	50	30	10	50	30	10	50	30	10	50	30	10	0
0	69	69	69	69	67	67	67	67	64	64	64	62	62	62	59	59	59	58	58	58	58
1	64	62	59	58	62	60	58	57	58	56	55	56	54	53	54	53	52	50	50	50	50
2	59	55	51	48	57	53	50	48	51	49	46	50	47	45	48	46	44	43	43	43	43
3	54	49	44	41	53	48	44	41	46	43	40	44	42	39	43	41	39	37	37	37	37
4	50	43	39	35	48	43	38	35	41	37	34	40	37	34	39	36	33	32	32	32	32
5	46	38	34	30	44	38	33	30	37	33	29	36	32	29	34	31	29	28	28	28	28
6	42	35	30	26	41	34	29	26	33	29	26	32	28	26	31	28	25	24	24	24	24
7	39	31	26	23	38	31	26	23	30	26	23	29	25	22	28	25	22	21	21	21	21
8	36	28	23	20	35	28	23	20	27	23	20	26	22	20	25	22	19	18	18	18	18
9	33	25	20	17	32	25	20	17	24	20	17	24	20	17	23	20	17	16	16	16	16
10	31	23	18	15	30	23	18	15	22	18	15	22	18	15	21	18	15	14	14	14	14

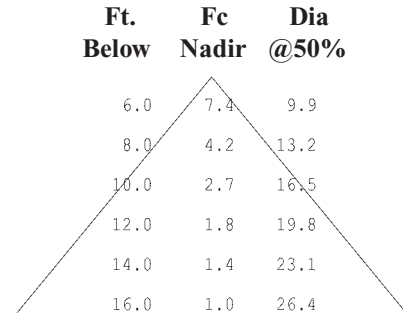


Product Number: A5VF213E/5300SCL
Frame In Kit: 5" Vertical Mount Quad Tube Fluorescent
Reflector: 5" Vertical Shallow Clear "Alzak" Reflector
LTL Test Number: 06656
Lamp(s) Source: (2) 13W 4 Pin Lamps Rated at 900 lumens ea.
Total Luminaire Efficiency: 57.1%
CIE Type: Direct
Luminaire Spacing Criterion: 1.7/1.6
Luminous Diameter: 5.000

Zonal Lumen Summary

ZONE	LUMENS	%LAMP	%FIXTURE
0- 30	283	15.7	27.6
0- 40	481	26.7	46.8
0- 60	845	46.9	82.2
0- 90	1027	57.1	100.0
90-180	0	0.0	0.0
0-180	1027	57.1	100.0

Cone of Light



Coefficients of Utilization

RC	80				70				50				30				10				0
RW	70	50	30	10	70	50	30	10	50	30	10	50	30	10	50	30	10	50	30	10	0
0	68	68	68	68	66	66	66	66	63	63	63	61	61	61	58	58	58	57	57	57	57
1	63	61	58	56	61	59	57	56	57	55	54	55	53	52	53	52	51	50	50	50	50
2	58	54	50	47	56	52	49	47	51	48	45	49	46	44	47	45	43	42	42	42	42
3	53	48	43	40	52	47	43	40	45	42	39	43	41	38	42	40	38	36	36	36	36
4	49	42	38	34	47	42	37	34	40	36	33	39	36	33	38	35	32	31	31	31	31
5	44	37	32	29	43	37	32	29	36	32	28	34	31	28	33	30	28	27	27	27	27
6	41	33	29	25	40	33	28	25	32	28	25	31	27	24	30	27	24	23	23	23	23
7	38	30	25	22	37	30	25	22	29	24	21	28	24	21	27	24	21	20	20	20	20
8	35	27	22	19	34	26	22	19	26	21	18	25	21	18	24	21	18	17	17	17	17
9	32	24	19	16	31	24	19	16	23	19	16	22	19	16	22	18	16	15	15	15	15
10	29	22	17	14	29	21	17	14	21	17	14	20	17	14	20	16	14	13	13	13	13

