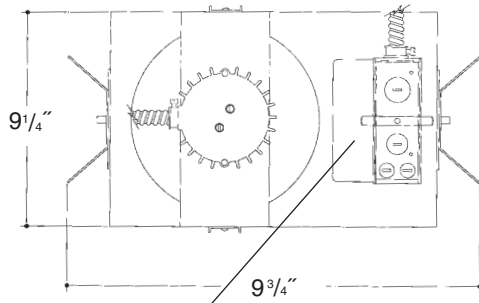


# Architectural Grade

Job Name \_\_\_\_\_

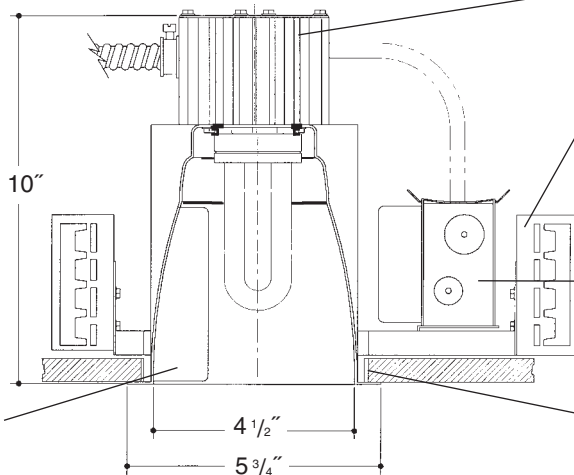
Type \_\_\_\_\_



## 4" V.F. 1 LT OPEN WALL WASH TRIPLE TUBE

Electronic ballast, Class P, 50/60 HZ -120/277, Programmed Start, thermally protected, 98% Power Factor, 1.00 Ballast Factor, <10% THD, Class A sound rated. Minimum starting temperature -18°C/0°F. *UL Listed component.*

Heavy gauge spun aluminum low iridescent reflector with self trimming white painted flange. Keyslots to secure reflector. Soft finish treatment creates wall wash. Polished Flange available.



Aluminum heat sink socket cup with Zinc plated steel hardware and spring steel clips for fast assembly. *UL Listed* socket.

Adjustable height electrogalvanized plated steel mounting ears with cutouts for various mounting methods. Standard bars (included) are innovative and incorporate rigid formed cross sections, joist positioning tabs, integral nails, auxiliary nailholes, T-Bar slots and holes for locking bars to T-Bar using #8 self-tapping screws (by others). Bars extend 14"-24". Ears will also accept Caddy Bar #520 for fast installation in T-Bar ceilings, bars extend 27".

Heavy gauge electrogalvanized steel junction box, prewired and grounded with easy access from below, listed for through branch circuit wiring.

Aluminum frame with Integral Plaster Ring.

### Rough in Kit – 4" Vertical Fluorescent 1-Lamp (Compact Fluorescent Triple Tube)

Catalog Number **A4VF1**

A4VF1	Wattage	Ballast	Voltage	Options
	42W MAX. PLT	E	1	EM
	32W PLT	DA	2	F
	26W PLT	DL	3	
			4	

<b>Ballast</b>	<b>E</b> Electronic	(4 Pin Lamp)
	<b>DA</b> Dimming - Advance Mark X	(4 Pin Lamp)
	<b>DL</b> Dimming - Lutron	(4 Pin Lamp)
<b>Voltage</b>	<b>1</b> 120 Volts	
	<b>2</b> 277 Volts	
	<b>3</b> 347 Volts (Electronic Ballast Only)	
	<b>4</b> 208 Volts (Electronic Ballast Only)	
<b>Options ▲</b>	<b>EM</b> Emergency Battery	
	<b>F</b> Fused	

Electronic Multi-Tap Ballast 120V Thru 277V Factory Standard

### Finishing Kit – 4" Vertical Fluorescent Open Reflector Downlight Wall Washer

Catalog Number **4201**

4201	Finish	Options
	SCL	PF
	SGO	GSK

<b>Finish (Factory Standard)</b>	
<b>SCL</b>	Specular Clear "Alzak" Reflector with White Flange
<b>SGO</b>	Specular Gold "Alzak" Reflector with White Flange
<b>Options ▲</b>	
<b>PF</b>	High Polished Flange
<b>GSK</b>	Neoprene Foam Single Gasketing

#### Features

Manufactured and Listed to UL 1598, ETL and CSA standards. Suitable for Damp Locations Wet location under covered ceiling



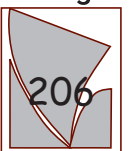
▲ See Options and Finishes pages for a list of additional finishes and equipment.

Vantage reserves the right to change components, finishes or design details in any manner which does not alter the installed appearance or reduce performance and intended function.

06/07

76 Community Avenue Plainfield, CT 06374  
voice (860)564.4512 fax (860)564.4854  
www.vantageitg.com

Vantage



Luminaires