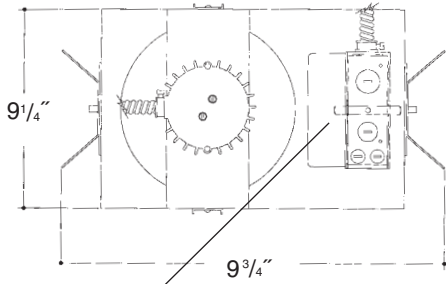


Architectural Grade

Job Name _____

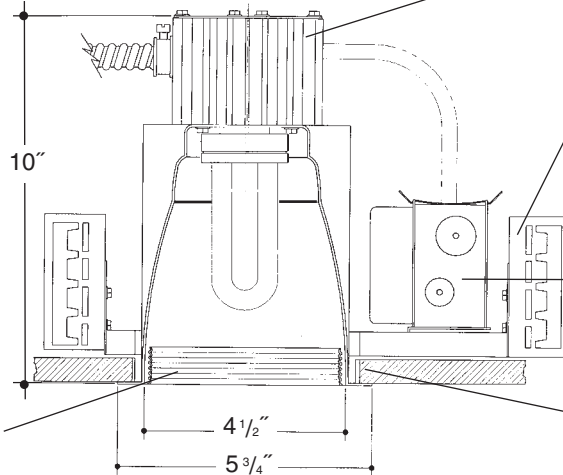
Type _____



4" V.F. 1 LT OPEN BAFFLED TRIPLE TUBE

Electronic ballast, Class P, 50/60 HZ
-120/277, Programmed Start,
thermally protected, 98% Power
Factor, 1.00 Ballast Factor, <10%
THD, Class A sound rated.
Minimum starting temperature
-18°C/0°F.
UL Listed component.

Heavy gauge spun aluminum low
iridescent low iridescent reflector with
multi-groove baffle and self trimming
white painted flange. Keyslots to secure
reflector. Polished Flange available.



Aluminum heat sink socket cup with Zinc plated
steel hardware and spring steel clips for fast
assembly. *UL Listed* socket.

Adjustable height electrogalvanized plated steel
mounting ears with cutouts for various mounting
methods. Standard bars (included) are innovative
and incorporate rigid formed cross sections, joist
positioning tabs, integral nails, auxiliary
nailholes, T-Bar slots and holes for locking bars
to T-Bar using #8 self-tapping screws
(by others). Bars extend 14"-24". Ears will also
accept Caddy Bar #520 for fast installation in
T-Bar ceilings, bars extend 27".

Heavy gauge electrogalvanized steel junction
box, prewired and grounded with easy access
from below, listed for through branch circuit
wiring.

Aluminum frame with Integral Plaster Ring.

Rough in Kit – 4" Vertical Fluorescent 1-Lamp (Compact Fluorescent Triple Tube)

Catalog Number **A4VF1**

A4VF1	Wattage	Ballast	Voltage	Options
	42W MAX. PLT	E	1	EM
	32W PLT	DA	2	F
	26W PLT	DL	3	
			4	

Ballast		
E	Electronic	(4 Pin Lamp)
DA	Dimming - Advance Mark X	(4 Pin Lamp)
DL	Dimming - Lutron	(4 Pin Lamp)
Voltage		
1	120 Volts	
2	277 Volts	
3	347 Volts (Electronic Ballast Only)	
4	208 Volts (Electronic Ballast Only)	
Options ▲		
EM	Emergency Battery	
F	Fused	

Electronic Multi-Tap Ballast 120V Thru 277V Factory Standard

Finishing Kit – 4" Vertical Fluorescent Open Baffled Reflector

Catalog Number **4250**

4250	Finish	Options
	SCL/BL	PF
	SGO/BL	GSK
	SCL/WH	
	SGO/WH	
	WHT/WH	

Finish (Factory Standard)

SCL/BL	Specular Clear "Alzak" with White Flange and Black Baffle
SGO/BL	Specular Gold "Alzak" with White Flange and Black Baffle
SCL/WH	Specular Clear "Alzak" with White Flange and White Baffle
SGO/WH	Specular Gold "Alzak" with White Flange and White Baffle
WHT/WH	White Reflector with White Flange and White Baffle

Options ▲

PF	High Polished Flange
GSK	Neoprene Foam Single Gasketing

Features

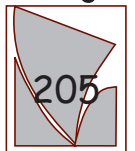
Manufactured and Listed to UL 1598,
ETL and CSA standards.
Suitable for Damp Locations
Wet location under covered ceiling



▲ See Options and Finishes pages for a list of additional finishes and equipment.

Vantage reserves the right to change components, finishes or design details
in any manner which does not alter the installed appearance or reduce
performance and intended function.

Vantage



Luminaires

76 Community Avenue Plainfield, CT 06374

voice (860)564.4512 fax (860)564.4854

www.vantageitg.com

06/07