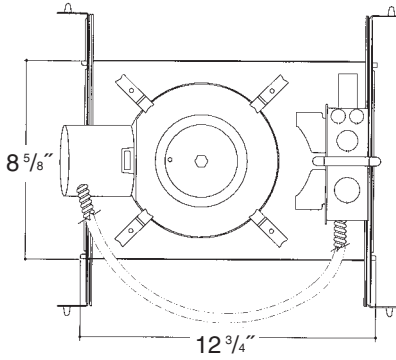


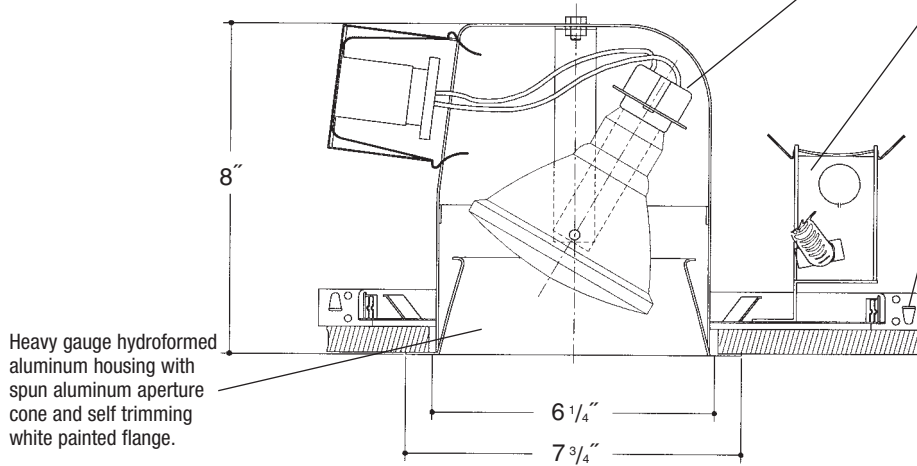
C o m m e r c i a l G r a d e

Job Name _____

Type _____



7" OPEN ADJUSTABLE INCANDESCENT



Glazed porcelain *UL Listed* socket mounted to steel yoke swivel assembly. Yoke tilt is 35° and will swivel 358°.

Heavy gauge electrogalvanized steel junction box, prewired and grounded with easy access from below. Listed for through branch circuit wiring. Thermal cutout provided.

Electrogalvanized steel frame components with spring steel reflector clips for fast assembly of reflector. Innovative, rigid bar hangers incorporate formed cross sections, joint positioning tabs, integral nails, auxiliary nailholes, T-Bar slots and holes for locking bars to T-Bar using #8 self-tapping screws (by others). Bars extend 14"-24". Frame will also accept Caddy Bar #517B for fast installation in drop-in ceilings, bars extend 27".

Heavy gauge hydroformed aluminum housing with spun aluminum aperture cone and self trimming white painted flange.

Rough in Kit – 7" Incandescent Adjustable (150W PAR38; 85W BR30; 100W PAR30; 50W PAR20; 75W PAR16)

Catalog Number **7INC**

7INC

Wattage

150W MAX. PAR38
85W BR30
100W PAR30
50W PAR20
75W PAR16

Options

277V SD
R

Options ▲

277V SD
R

Step Down Transformer 277V to 120V Remodeler

Finishing Kit – 7" Incandescent Adjustable with Aperture Cone

Catalog Number **7810**

7810

Finish

WHT/SCL
WHT/SGO

Options

GSK

Finish (Factory Standard)

WHT/SCL
WHT/SGO

Specular Clear "Alzak" Cone with White Housing and White Flange
Specular Gold "Alzak" Cone with White Housing and White Flange

Options ▲

GSK

Neoprene Foam Single Gasketing

Features

Manufactured and Listed to UL 1598, ETL and CSA standards.
Suitable for Damp Locations
Wet location under covered ceiling



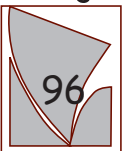
▲ See Options and Finishes pages for a list of additional finishes and equipment.

Vantage reserves the right to change components, finishes or design details in any manner which does not alter the installed appearance or reduce performance and intended function.

06/07

76 Community Avenue Plainfield, CT 06374
voice (860)564.4512 fax (860)564.4854
www.vantageltg.com

Vantage



Luminaires