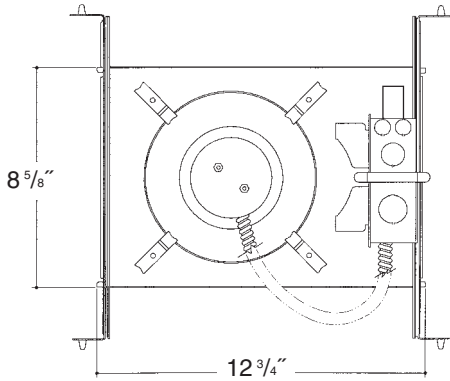


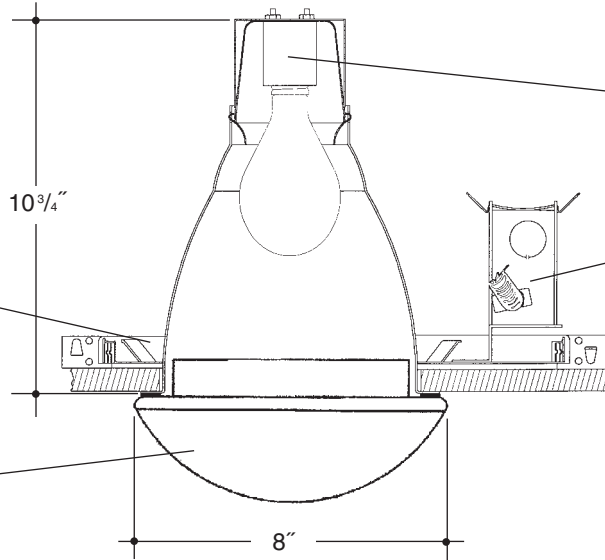
Job Name _____

Type _____



**7" OPAL ACRYLIC
DOME SHOWER LIGHT
INCANDESCENT**

Electrogalvanized steel frame components with spring steel reflector clips for fast assembly of reflector. Innovative, rigid bar hangers incorporate formed cross sections, joist positioning tabs, integral nails, auxiliary nailholes, T-Bar slots and holes for locking bars to T-Bar using #8 self-tapping screws (by others). Bars extend 14"-24". Frame will also accept Caddy Bar #517B for fast installation in drop-in ceilings, bars extend 27".



Aluminum socket cup with spring steel snap-in clips for fast assembly. *UL Listed* medium base porcelain socket, with nickel plated brass screw shell.

Heavy gauge electrogalvanized steel junction box, prewired and grounded with easy access from below. Listed for through branch circuit wiring. Thermal cutout provided.

Heavy gauge spun aluminum low iridescent reflector with gasketed opal acrylic dome, and self trimming flange. Suitable for use in showers or spas.

Rough in Kit – 7" Incandescent (100W A19)

Catalog Number **7INC** _____

7INC	Wattage	Options
	100W MAX. A19	277V SD R

Options ▲
277V SD Step Down Transformer 277V to 120V
R Remodeler

Finishing Kit – 7" Incandescent Opal Acrylic Dome Shower Light Reflector - clear reflector standard with self trim flange

Catalog Number **7015** _____ Options ▲

7015	Options
-------------	----------------

Features

Manufactured and Listed to UL 1598, ETL and CSA standards.
Suitable for Damp Locations
Wet location under covered ceiling



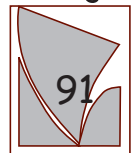
▲ See Options and Finishes pages for a list of additional finishes and equipment.

Vantage reserves the right to change components, finishes or design details in any manner which does not alter the installed appearance or reduce performance and intended function.

05/07

76 Community Avenue Plainfield, CT 06374
voice (860)564.4512 fax (860)564.4854
www.vantageltg.com

Vantage



Luminares