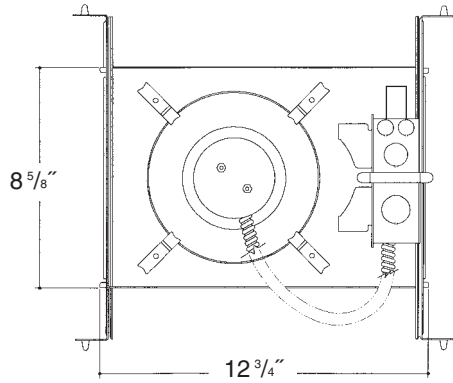


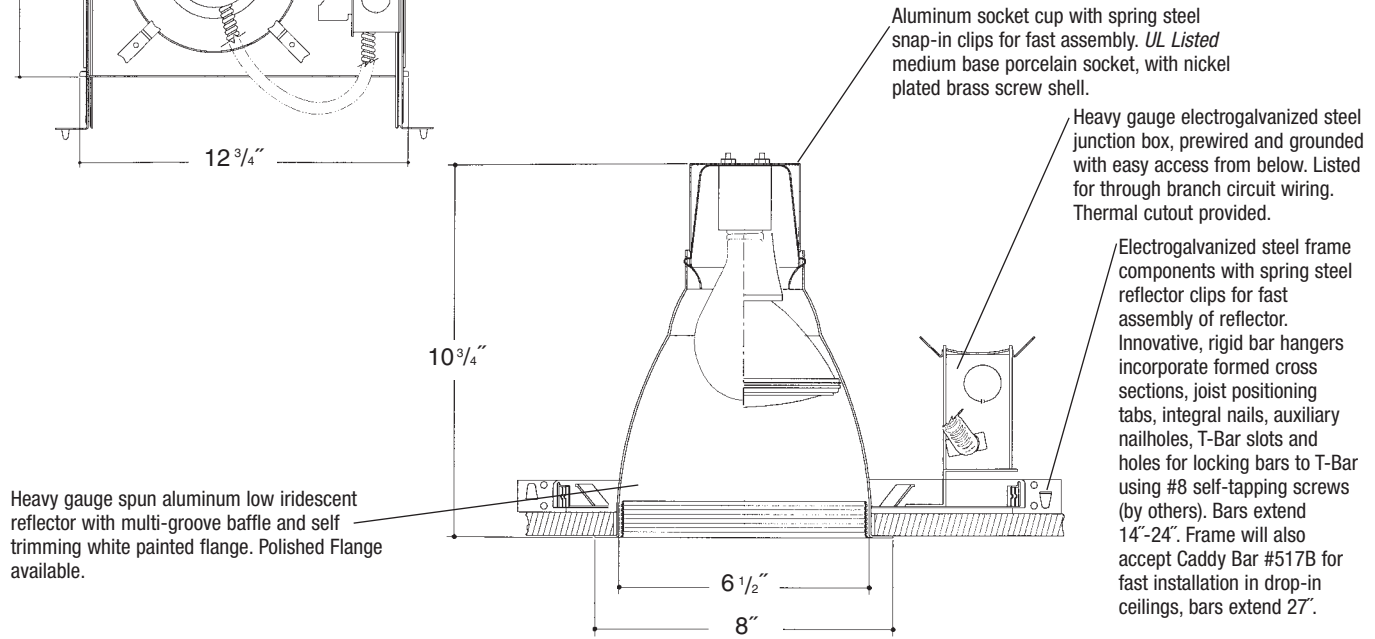
C o m m e r c i a l G r a d e

Job Name _____

Type _____



7" OPEN BAFFLED INCANDESCENT



Rough in Kit – 7" Incandescent (150W A21; 100W A19; 100W PAR30)

Catalog Number **7INC** _____

7INC

Wattage

Options

150W MAX. A21
100W A19
100W PAR30

277V SD
R

Options ▲

277V SD
R

Step Down Transformer 277V to 120V Remodeler

Finishing Kit – 7" Incandescent Open Baffled Reflector

Catalog Number **7050** _____

7050

Finish

Options

SCL/BL
SGO/BL
SCL/WH
SGO/WH
WHT/WH
WHT/BL

PF
GSK

Finish (Factory Standard)

SCL/BL Specular Clear "Alzak" with White Flange and Black Baffle
SGO/BL Specular Gold "Alzak" with White Flange and Black Baffle
SCL/WH Specular Clear "Alzak" with White Flange and White Baffle
SGO/WH Specular Gold "Alzak" with White Flange and White Baffle
WHT/WH White Reflector with White Flange with White Baffle
WHT/BL White Reflector with White Flange and Black Baffle

Options ▲

PF
GSK

High Polished Flange
Neoprene Foam Single Gasketing

Features

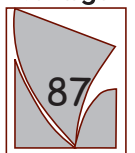
Manufactured and Listed to UL 1598, ETL and CSA standards.
Suitable for Damp Locations
Wet location under covered ceiling



▲ See Options and Finishes pages for a list of additional finishes and equipment.

Vantage reserves the right to change components, finishes or design details in any manner which does not alter the installed appearance or reduce performance and intended function.

Vantage



Luminaires

76 Community Avenue Plainfield, CT 06374
voice (860)564.4512 fax (860)564.4854
www.vantageltg.com

05/07