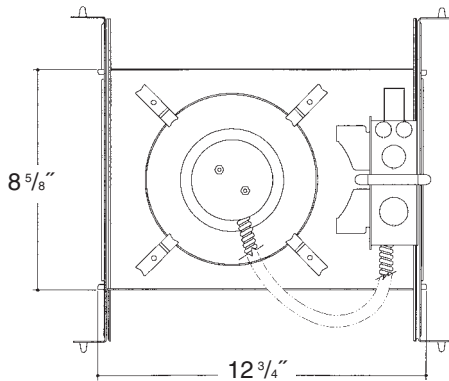


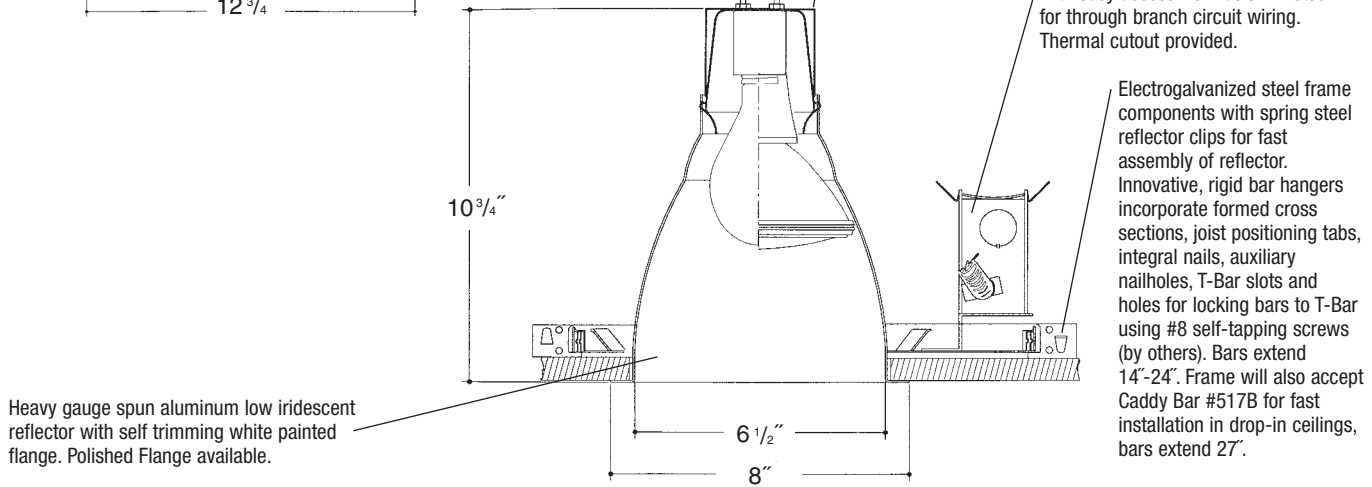
C o m m e r c i a l G r a d e

Job Name _____

Type _____



7" OPEN INCANDESCENT



Rough in Kit – 7" Incandescent (150W A21; 100W A19; 100W PAR30)

Catalog Number **7INC** _____

7INC	Wattage	Options
	150W MAX. A21 100W A19 100W PAR30	277V SD R

Options ▲
277V SD Step Down Transformer 277V to 120V
R Remodeler

Finishing Kit – 7" Incandescent Open Reflector

Catalog Number **7000** _____

7000	Finish	Options
	SCL SGO WHT	PF GSK

Finish (Factory Standard)
SCL Specular Clear "Alzak" Reflector with White Flange
SGO Specular Gold "Alzak" Reflector with White Flange
WHT White Reflector with White Flange

Options ▲
PF High Polished Flange
GSK Neoprene Foam Single Gasketing

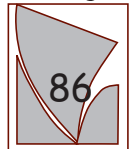
Features

Manufactured and Listed to UL 1598, ETL and CSA standards.
 Suitable for Damp Locations
 Wet location under covered ceiling



▲ See Options and Finishes pages for a list of additional finishes and equipment.
 Vantage reserves the right to change components, finishes or design details in any manner which does not alter the installed appearance or reduce performance and intended function.

Vantage



Luminaires

76 Community Avenue Plainfield, CT 06374
 voice (860)564.4512 fax (860)564.4854
 www.vantageltg.com

05/07