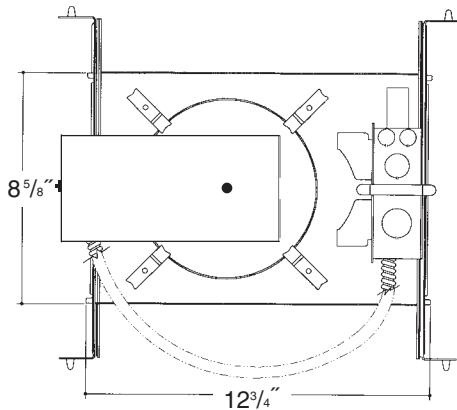


C o m m e r c i a l G r a d e

Job Name _____

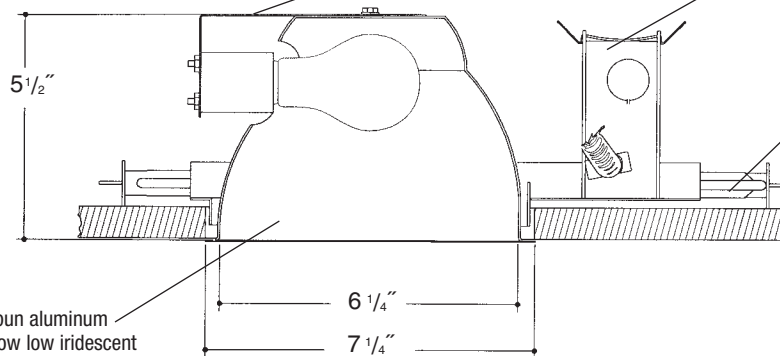
Type _____



6" HORIZONTAL SHALLOW OPEN INCANDESCENT

Aluminum socket support. *UL Listed* medium base porcelain socket, with nickel plated brass screw shell.

Heavy gauge electrogalvanized steel junction box, prewired and grounded with easy access from below. Listed for through branch circuit wiring. Thermal cutout provided.



Electrogalvanized steel frame components with spring steel reflector clips for fast assembly of reflector. Innovative, rigid bar hangers incorporate formed cross sections, joist positioning tabs, integral nails, auxiliary nailholes, T-Bar slots and holes for locking bars to T-Bar using #8 self-tapping screws (by others). Bars extend 14"-24". Frame will also accept Caddy Bar #517B for fast installation in drop-in ceilings, bars extend 27".

Heavy gauge spun aluminum horizontal shallow low iridescent reflector with self trimming white painted flange. Polished Flange available.

Rough in Kit – 6" Horizontal Incandescent (100W A19)

Catalog Number **6INC-HOR**

6INC-HOR

Wattage

100W MAX. A19

Options

277V SD
R

Options ▲

277V SD
R

Step Down Transformer 277V to 120V Remodeler

Finishing Kit – 6" Horizontal Incandescent Shallow Open Reflector

Catalog Number **6602**

6602

Finish

SCL
SGO
WHT

Options

PF
GSK

Finish (Factory Standard)

SCL Specular Clear "Alzak" Reflector with White Flange
SGO Specular Gold "Alzak" Reflector with White Flange
WHT White Reflector with White Flange

Options ▲

PF High Polished Flange
GSK Neoprene Foam Single Gasketing

Features

Manufactured and Listed to UL 1598, ETL and CSA standards.
Suitable for Damp Locations
Wet location under covered ceiling



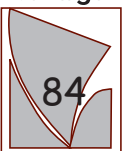
▲ See Options and Finishes pages for a list of additional finishes and equipment.

Vantage reserves the right to change components, finishes or design details in any manner which does not alter the installed appearance or reduce performance and intended function.

05/07

76 Community Avenue Plainfield, CT 06374
voice (860)564.4512 fax (860)564.4854
www.vantageitg.com

Vantage



Luminaires