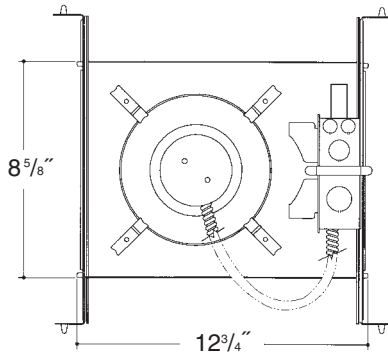


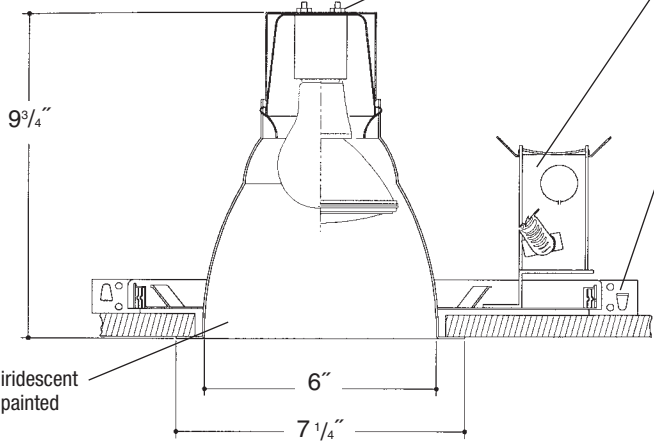
C o m m e r c i a l G r a d e

Job Name _____

Type _____



**6" OPEN
INCANDESCENT**



Aluminum socket cup with spring steel snap-in clips for fast assembly. *UL Listed* medium base porcelain socket, with nickel plated brass screw shell.

Heavy gauge electrogalvanized steel junction box, prewired and grounded with easy access from below. Listed for through branch circuit wiring. Thermal cutout provided.

Electrogalvanized steel frame components with spring steel reflector clips for fast assembly of reflector. Innovative, rigid bar hangers incorporate formed cross sections, joist positioning tabs, integral nails, auxiliary nailholes, T-Bar slots and holes for locking bars to T-Bar using #8 self-tapping screws (by others). Bars extend 14"-24". Frame will also accept Caddy Bar #517B for fast installation in drop-in ceilings, bars extend 27".

Heavy gauge spun aluminum low iridescent reflector with self trimming white painted flange. Polished Flange available.

Rough in Kit – 6" Incandescent (150W A21; 100 PAR30)

Catalog Number **6INC**

6INC

Wattage

Options

150W MAX. A21
100W PAR30 ❖❖

277V SD
R

Options ▲

277V SD Step Down Transformer 277V to 120V
R Remodeler

❖❖ Long Neck Only

Finishing Kit – 6" Incandescent Open Reflector

Catalog Number **6000**

6000

Finish

Options

SCL
SGO
WHT

PF
GSK

Finish (Factory Standard)

SCL Specular Clear "Alzak" Reflector and Splay with White Flange
SGO Specular Gold "Alzak" Reflector and Splay with White Flange
WHT White Reflector with White Flange

Options ▲

PF High Polished Flange
GSK Neoprene Foam Single Gasketing

Features

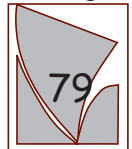
Manufactured and Listed to UL 1598, ETL and CSA standards.
Suitable for Damp Locations
Wet location under covered ceiling



▲ See Options and Finishes pages for a list of additional finishes and equipment.

Vantage reserves the right to change components, finishes or design details in any manner which does not alter the installed appearance or reduce performance and intended function.

Vantage



Luminaires

76 Community Avenue Plainfield, CT 06374
voice (860)564.4512 fax (860)564.4854
www.vantageltg.com

10/08

Photometric Information

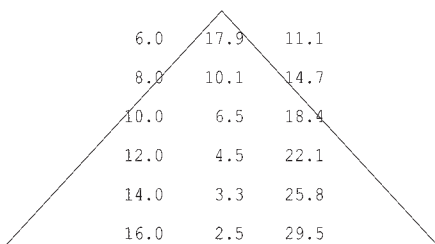
Product Number: 6INC/06000SCL
Frame In Kit: 6" Vertical Mount Incandescent
Reflector: 6" Vertical Tall Clear "Alzak" Reflector
LTL Test Number: 06035 (A21) (Lamp in Bottom Position)
Lamp(s) Source: 150W A21 Rated at 2880 lumens
Total Luminaire Efficiency: 75.1%
CIE Type: Direct
Luminaire Spacing Criterion: 1.7
Luminous Diameter: 6.00

Zonal Lumen Summary

ZONE	LUMENS	%LAMP	%FIXTURE
0- 30	573	19.9	26.5
0- 40	1099	38.1	50.8
0- 60	2047	71.1	94.7
0- 90	2162	75.1	100.0
90-180	0	0.0	0.0
0-180	2162	75.1	100.0

Cone of Light

Ft. Fc Dia
Below Nadir @50%



Coefficients of Utilization

RC	80				70				50				30				10				0
RW	70	50	30	10	70	50	30	10	50	30	10	50	30	10	50	30	10	50	30	10	0
0	89	89	89	89	87	87	87	87	83	83	83	80	80	80	77	77	77	75	75	75	0
1	84	81	79	77	82	79	77	75	76	75	73	73	72	71	71	70	69	67	67	67	67
2	78	73	70	66	76	72	69	65	70	67	64	67	65	63	65	63	61	60	60	60	60
3	72	66	61	57	71	65	60	57	63	59	56	61	58	55	59	56	54	53	53	53	53
4	67	59	54	50	65	59	53	49	57	52	49	55	51	48	54	50	48	46	46	46	46
5	62	53	47	43	60	52	47	43	51	46	42	50	45	42	48	45	42	40	40	40	40
6	57	48	41	37	55	47	41	37	46	40	37	44	40	36	43	39	36	35	35	35	35
7	52	42	36	32	50	41	36	31	40	35	31	39	35	31	38	34	31	29	29	29	29
8	47	38	31	27	46	37	31	27	36	31	27	35	30	27	34	30	27	25	25	25	25
9	43	33	27	23	42	33	27	23	32	27	23	31	26	23	31	26	23	21	21	21	21
10	40	30	24	20	39	29	24	20	29	23	20	28	23	20	27	23	20	18	18	18	18

