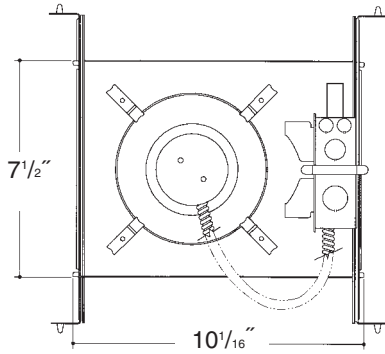


C o m m e r c i a l G r a d e

Job Name _____

Type _____



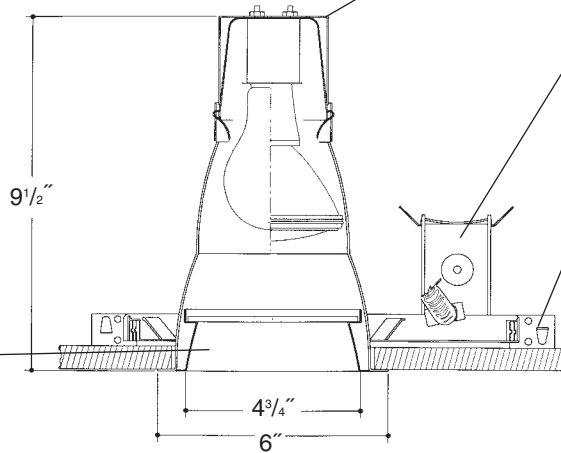
5" DEEP LENSED INCANDESCENT

Aluminum socket cup with spring steel snap-in clips for fast assembly. *UL Listed* medium base porcelain socket, with nickel plated brass screw shell.

Heavy gauge electrogalvanized steel junction box, prewired and grounded with easy access from below. Listed for through branch circuit wiring. Thermal cutout provided.

Electrogalvanized steel frame components with spring steel reflector clips for fast assembly of reflector. Innovative, rigid bar hangers incorporate formed cross sections, joist positioning tabs, integral nails, auxiliary nailholes, T-Bar slots and holes for locking bars to T-Bar using #8 self-tapping screws (by others). Bars extend 14"-24". Frame will also accept Caddy Bar #517B for fast installation in drop-in ceilings, bars extend 27".

Heavy gauge spun aluminum deep low iridescent reflector with self trimming flanged splay/lens holder. Polished Flange available. Safety chain provided.



Rough in Kit – 5" Incandescent (100W A19; 75W PAR30)

Catalog Number **5INC**

5INC

Wattage

100W MAX. A19
75W PAR30 ❖❖

Options

277V SD
R

Options ▲

277V SD
R

Step Down Transformer 277V to 120V Remodeler

❖❖ Long Neck Only

Finishing Kit – 5" Incandescent Deep Lensed Reflector – clear reflector standard with self trim flange

Catalog Number **55**

55

Lens

5511 - Tempered Clear Lens
5514 - Tempered Prismatic Lens (C73 Pattern)
5516 - Fresnel Lens

Finish

SCL
SGO
WHT

Options

PF
DGSK

Finish (Factory Standard)

SCL
SGO
WHT

Specular Clear "Alzak" Splay with White Flange
Specular Gold "Alzak" Splay with White Flange
White Splay with White Flange

Options ▲

PF
DGSK

High Polished Flange
Neoprene Foam Double Gasketing

Features

Manufactured and Listed to UL 1598, ETL and CSA standards.
Suitable for Damp Locations
Wet location under covered ceiling



▲ See Options and Finishes pages for a list of additional finishes and equipment.

Vantage reserves the right to change components, finishes or design details in any manner which does not alter the installed appearance or reduce performance and intended function.

08/08

76 Community Avenue Plainfield, CT 06374
voice (860)564.4512 fax (860)564.4854
www.vantageltg.com

Vantage



Luminaires