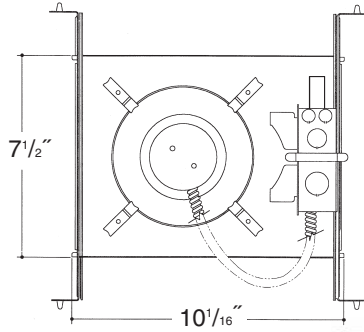


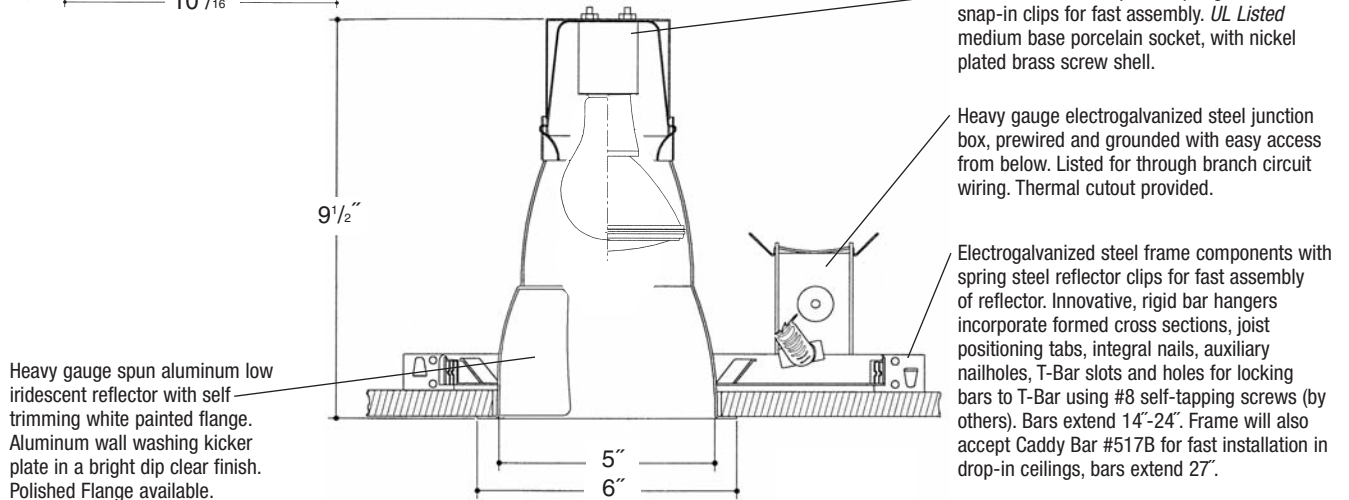
C o m m e r c i a l G r a d e

Job Name _____

Type _____



5" OPEN DEEP WALL WASH INCANDESCENT



Rough in Kit – 5" Incandescent (150W A21; 75W PAR30)

Catalog Number **5INC**

5INC

Wattage

150W MAX. A21
75W PAR30❖❖

Options

277V SD
R

Options ▲

277V SD
R

Step Down Transformer 277V to 120V Remodeler

❖❖ Long Neck Only

Finishing Kit – 5" Incandescent Deep Open Reflector Downlight Wall Washer

Catalog Number **5510**

5510

Finish

SCL
SGO

Options

PF
GSK

Finish (Factory Standard)

SCL
SGO

Specular Clear "Alzak" with White Flange
Specular Gold "Alzak" with White Flange

Options ▲

PF
GSK

High Polished Flange
Neoprene Foam Single Gasketing

Features

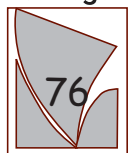
Manufactured and Listed to UL 1598, ETL and CSA standards.
Suitable for Damp Locations
Wet location under covered ceiling



▲ See Options and Finishes pages for a list of additional finishes and equipment.

Vantage reserves the right to change components, finishes or design details in any manner which does not alter the installed appearance or reduce performance and intended function.

Vantage



Luminaires

76 Community Avenue Plainfield, CT 06374

voice (860)564.4512 fax (860)564.4854

www.vantageitg.com

12/09