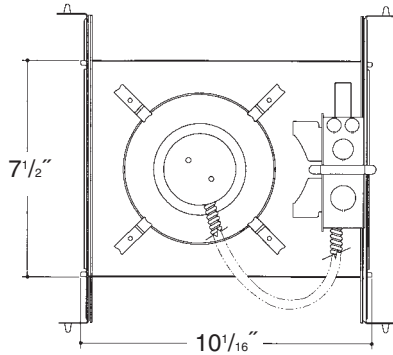


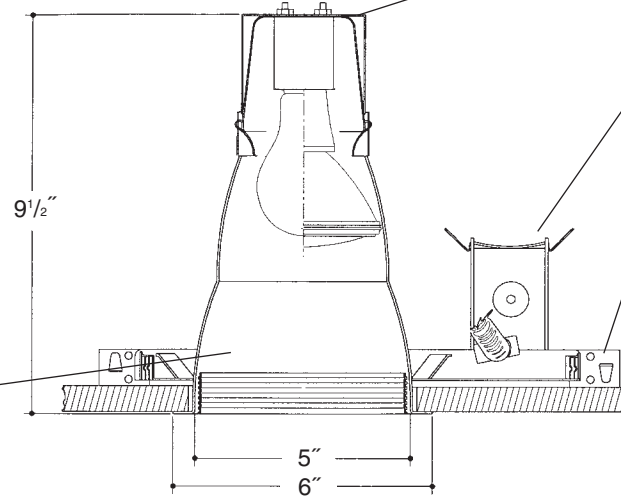
C o m m e r c i a l G r a d e

Job Name _____

Type _____



**5" DEEP OPEN
BAFFLED
INCANDESCENT**



Aluminum socket cup with spring steel snap-in clips for fast assembly. *UL Listed* medium base porcelain socket, with nickel plated brass screw shell.

Heavy gauge electrogalvanized steel junction box, prewired and grounded with easy access from below. Listed for through branch circuit wiring. Thermal cutout provided.

Electrogalvanized steel frame components with spring steel reflector clips for fast assembly of reflector. Innovative, rigid bar hangers incorporate formed cross sections, joint positioning tabs, integral nails, auxiliary nailholes, T-Bar slots and holes for locking bars to T-Bar using #8 self-tapping screws (by others). Bars extend 14"-24". Frame will also accept Caddy Bar #517B for fast installation in drop-in ceilings, bars extend 27".

Heavy gauge spun aluminum deep low iridescent reflector with multi-groove baffle and self trimming white painted flange. Polished Flange available.

Rough in Kit – 5" Incandescent (150W A21; 75W PAR30)

Catalog Number **5INC**

5INC

Wattage
150W MAX. A21
75W PAR30❖❖

Options
277V SD
R

Options ▲
277V SD Step Down Transformer 277V to 120V
R Remodeler

❖❖ Long Neck Only

Finishing Kit – 5" Incandescent Deep Open Baffled Reflector

Catalog Number **5550**

5550

Finish
SCL/BL
SGO/BL
SCL/WH
SGO/WH
WHT/WH
WHT/BL

Options
PF
GSK

Finish (Factory Standard)
SCL/BL Specular Clear "Alzak" with White Flange and Black Baffle
SGO/BL Specular Gold "Alzak" with White Flange and Black Baffle
SCL/WH Specular Clear "Alzak" with White Flange and White Baffle
SGO/WH Specular Gold "Alzak" with White Flange and White Baffle
WHT/WH White Reflector with White Flange and White Baffle
WHT/BL White Reflector with White Flange and Black Baffle

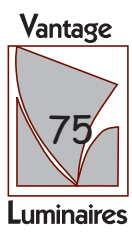
Options ▲
PF High Polished Flange
GSK Neoprene Foam Single Gasketing

Features

Manufactured and Listed to UL 1598, ETL and CSA standards.
Suitable for Damp Locations
Wet location under covered ceiling



▲ See Options and Finishes pages for a list of additional finishes and equipment.
Vantage reserves the right to change components, finishes or design details in any manner which does not alter the installed appearance or reduce performance and intended function.



76 Community Avenue Plainfield, CT 06374
voice (860)564.4512 fax (860)564.4854
www.vantageitg.com

05/07

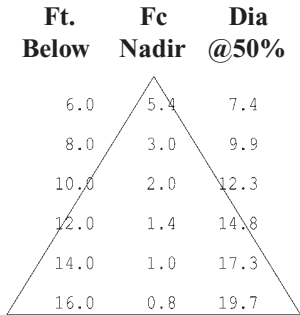
Photometric Information

Product Number: 5INC/5550SCL/BL
Frame In Kit: 5" Vertical Mount Incandescent
Reflector: 5" Vertical Tall Clear "Alzak" with Black Baffle
LTL Test Number: 06651 (A19)
Lamp(s) Source: 100W A19 Rated at 1710 lumens
Total Luminaire Efficiency: 21.8%
CIE Type: Direct
Luminaire Spacing Criterion: 1.2
Luminous Diameter: 4.875

Zonal Lumen Summary

ZONE	LUMENS	%LAMP	%FIXTURE
0- 30	154	9.0	41.5
0- 40	254	14.9	68.3
0- 60	372	21.8	100.0
0- 90	372	21.8	100.0
90-180	0	0.0	0.0
0-180	372	21.8	100.0

Cone of Light



Coefficients of Utilization

RC	80				70				50				30				10				0
RW	70	50	30	10	70	50	30	10	50	30	10	50	30	10	50	30	10	50	30	10	0
0	26	26	26	26	25	25	25	25	24	24	24	23	23	23	22	22	22	22	22	22	0
1	25	24	23	23	24	24	23	23	23	22	22	22	21	21	21	21	21	21	21	21	20
2	23	22	21	21	23	22	21	20	21	20	20	20	20	19	20	19	19	19	19	19	19
3	22	20	19	18	22	20	19	18	20	19	18	19	18	18	19	18	17	17	17	17	17
4	21	19	18	17	20	19	17	17	18	17	16	18	17	16	17	17	16	16	16	16	16
5	19	17	16	15	19	17	16	15	17	16	15	16	15	15	16	15	15	15	15	15	14
6	18	16	15	14	18	16	14	13	15	14	13	15	14	13	15	14	13	13	13	13	13
7	17	15	13	12	17	14	13	12	14	13	12	14	13	12	14	13	12	12	12	12	11
8	16	13	12	11	15	13	12	11	13	12	11	13	11	11	12	11	11	11	11	11	10
9	15	12	11	10	14	12	10	9	12	10	9	12	10	9	11	10	9	9	9	9	9
10	13	11	9	8	13	11	9	8	11	9	8	10	9	8	10	9	8	8	8	8	8

