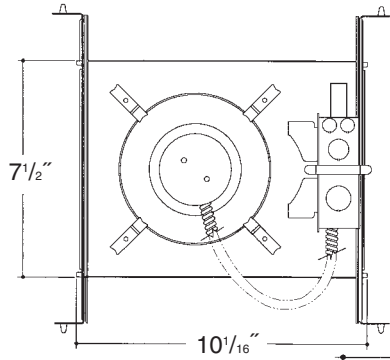


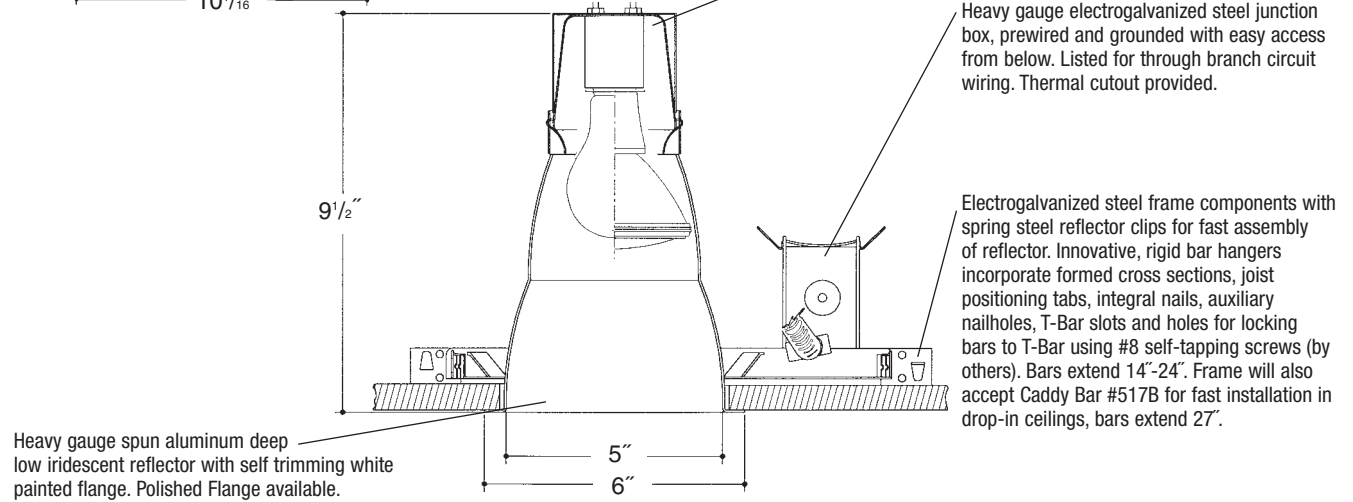
C o m m e r c i a l G r a d e

Job Name _____

Type _____



5" DEEP OPEN INCANDESCENT



Aluminum socket cup with spring steel snap-in clips for fast assembly. *UL Listed* medium base porcelain socket, with nickel plated brass screw shell.

Heavy gauge electrogalvanized steel junction box, prewired and grounded with easy access from below. Listed for through branch circuit wiring. Thermal cutout provided.

Electrogalvanized steel frame components with spring steel reflector clips for fast assembly of reflector. Innovative, rigid bar hangers incorporate formed cross sections, joist positioning tabs, integral nails, auxiliary nailholes, T-Bar slots and holes for locking bars to T-Bar using #8 self-tapping screws (by others). Bars extend 14"-24". Frame will also accept Caddy Bar #517B for fast installation in drop-in ceilings, bars extend 27".

Heavy gauge spun aluminum deep low iridescent reflector with self trimming white painted flange. Polished Flange available.

Rough in Kit – 5" Incandescent (150W A21; 75W PAR30)

Catalog Number **5INC** _____

5INC

Wattage

150W MAX. A21
75W PAR30❖❖

Options

277V SD
R

Options ▲

277V SD
R

Step Down Transformer 277V to 120V Remodeler

❖❖ Long Neck Only

Finishing Kit – 5" Incandescent Deep Open Reflector

Catalog Number **5500** _____

5500

Finish

SCL
SGO
WHT

Options

PF
GSK

Finish (Factory Standard)

SCL Specular Clear "Alzak" with White Flange
SGO Specular Gold "Alzak" with White Flange
WHT White Reflector with White Flange

Options ▲

PF High Polished Flange
GSK Neoprene Foam Single Gasketing

Features

Manufactured and Listed to UL 1598, ETL and CSA standards.
Suitable for Damp Locations
Wet location under covered ceiling



▲ See Options and Finishes pages for a list of additional finishes and equipment.

Vantage reserves the right to change components, finishes or design details in any manner which does not alter the installed appearance or reduce performance and intended function.

Vantage



Luminaires

76 Community Avenue Plainfield, CT 06374
voice (860)564.4512 fax (860)564.4854
www.vantageitg.com

05/07

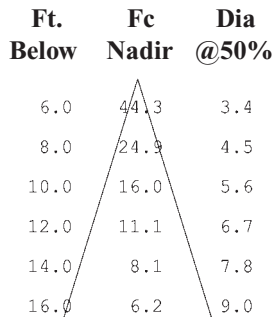
Photometric Information

Product Number: 5INC/5500SCL
Frame In Kit: 5" Vertical Mount Incandescent
Reflector: 5" Vertical Tall Clear "Alzak" Reflector
LTL Test Number: 06020 (PAR30)
Lamp(s) Source: 50W PAR30 LN/CAP/NFL/30-120V
Total Luminaire Efficiency: 93.8%
CIE Type: Direct
Luminaire Spacing Criterion: 0.5
Luminous Diameter: 5.000

Zonal Lumen Summary

ZONE	LUMENS	%LAMP	%FIXTURE
0- 30	474	79.1	84.2
0- 40	507	84.4	90.0
0- 60	563	93.8	99.9
0- 90	563	93.8	100.0
90-180	0	0.0	0.0
0-180	563	93.8	100.0

Cone of Light



Coefficients of Utilization

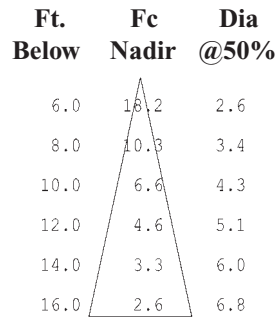
RC	80	70	50	30	10	0
RW	70 50 30 10	70 50 30 10	50 30 10	50 30 10	50 30 10	0
0	112112112112	109109109109	104104104	100100100	96 96 96	94
1	108106104102	106104102101	100 99 98	97 96 95	94 93 92	91
2	104101 98 96	102 99 97 95	97 94 93	94 92 91	91 90 89	88
3	101 97 94 91	100 96 93 90	93 91 89	91 89 87	89 88 86	85
4	98 93 89 87	97 92 89 86	90 87 85	88 86 84	87 85 83	82
5	95 89 85 83	94 89 85 82	87 84 82	86 83 81	84 82 80	79
6	92 86 82 80	91 86 82 79	84 81 79	83 80 78	82 80 78	77
7	89 83 79 76	88 83 79 76	81 78 76	81 78 75	80 77 75	74
8	87 80 76 74	86 80 76 73	79 76 73	78 75 73	77 75 73	72
9	84 78 74 71	83 77 74 71	77 73 71	76 73 71	75 73 70	70
10	82 75 72 69	81 75 71 69	74 71 69	74 71 69	73 70 68	68

Product Number: 5INC/5500SCL
Frame In Kit: 5" Vertical Mount Incandescent
Reflector: 5" Vertical Tall Clear "Alzak" Reflector
LTL Test Number: 06650 (A19)
Lamp(s) Source: 100W A19 Rated at 1710 lumens
Total Luminaire Efficiency: 51.0%
CIE Type: Direct
Luminaire Spacing Criterion: 0.4
Luminous Diameter: 5.000

Zonal Lumen Summary

ZONE	LUMENS	%LAMP	%FIXTURE
0- 30	297	17.4	34.0
0- 40	490	28.6	56.1
0- 60	856	50.0	98.0
0- 90	873	51.0	100.0
90-180	0	0.0	0.0
0-180	873	51.0	100.0

Cone of Light



Coefficients of Utilization

RC	80	70	50	30	10	0
RW	70 50 30 10	70 50 30 10	50 30 10	50 30 10	50 30 10	0
0	61 61 61 61	59 59 59 59	57 57 57	54 54 54	52 52 52	51
1	57 56 54 53	56 54 53 52	52 51 50	50 50 49	49 48 47	46
2	54 51 48 46	53 50 48 46	48 46 45	47 45 44	45 44 43	42
3	50 46 43 41	49 46 43 40	44 42 40	43 41 39	42 40 39	38
4	47 42 39 36	46 42 38 36	40 38 35	39 37 35	38 36 35	34
5	44 38 35 32	43 38 34 32	37 34 31	36 33 31	35 33 31	30
6	40 35 31 28	39 34 31 28	33 30 28	33 30 28	32 29 27	26
7	37 31 27 24	36 31 27 24	30 27 24	29 26 24	29 26 24	23
8	34 28 24 21	34 28 24 21	27 24 21	26 23 21	26 23 21	20
9	32 25 21 19	31 25 21 19	24 21 19	24 21 19	23 21 18	18
10	29 23 19 16	29 23 19 16	22 19 16	22 18 16	21 18 16	15

