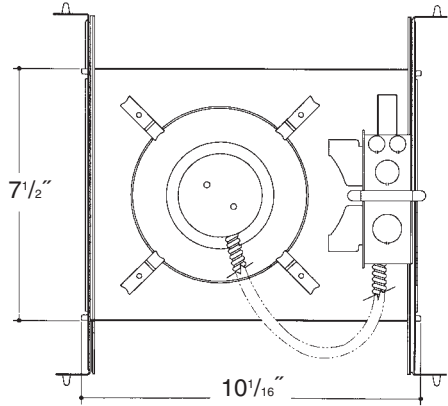


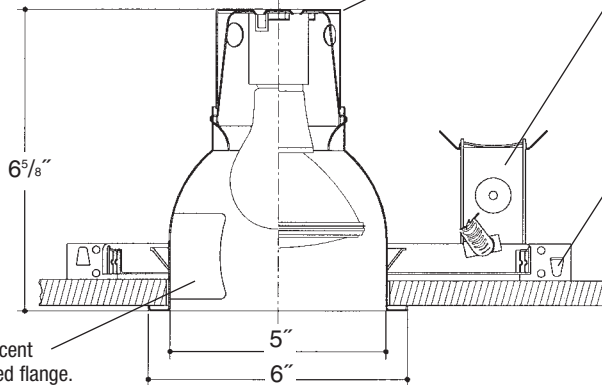
C o m m e r c i a l G r a d e

Job Name _____

Type _____



5" OPEN WALL WASH INCANDESCENT



Aluminum socket cup with spring steel snap-in clips for fast assembly. *UL Listed* medium base porcelain socket, with nickel plated brass screw shell.

Heavy gauge electrogalvanized steel junction box, prewired and grounded with easy access from below. Listed for through branch circuit wiring. Thermal cutout provided.

Electrogalvanized steel frame components with spring steel reflector clips for fast assembly of reflector. Innovative, rigid bar hangers incorporate formed cross sections, joint positioning tabs, integral nails, auxiliary nailholes, T-Bar slots and holes for locking bars to T-Bar using #8 self-tapping screws (by others). Bars extend 14"-24". Frame will also accept Caddy Bar #517B for fast installation in drop-in ceilings, bars extend 27".

Heavy gauge spun aluminum low iridescent reflector with self trimming white painted flange. Soft Finish treatment creates wall wash. Polished Flange available.

Rough in Kit – 5" Incandescent (100W A19; 75W PAR30; 50W PAR20)

Catalog Number **5INC**

5INC

Wattage

100W MAX. A19
75W PAR30❖❖
50W PAR20

Options

277V SD
R

Options ▲

277V SD
R

Step Down Transformer 277V to 120V Remodeler

❖❖ Long Neck Only

Finishing Kit – 5" Incandescent Open Reflector Downlight Wall Washer

Catalog Number **5310**

5310

Finish

SCL
SGO

Options

PF
GSK

Finish (Factory Standard)

SCL
SGO

Specular Clear "Alzak" with White Flange
Specular Gold "Alzak" with White Flange

Options ▲

PF
GSK

High Polished Flange
Neoprene Foam Single Gasketing

Features

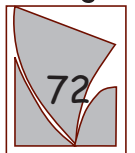
Manufactured and Listed to UL 1598, ETL and CSA standards.
Suitable for Damp Locations
Wet location under covered ceiling



▲ See Options and Finishes pages for a list of additional finishes and equipment.

Vantage reserves the right to change components, finishes or design details in any manner which does not alter the installed appearance or reduce performance and intended function.

Vantage



Luminaires

76 Community Avenue Plainfield, CT 06374
voice (860)564.4512 fax (860)564.4854
www.vantageltg.com

06/07