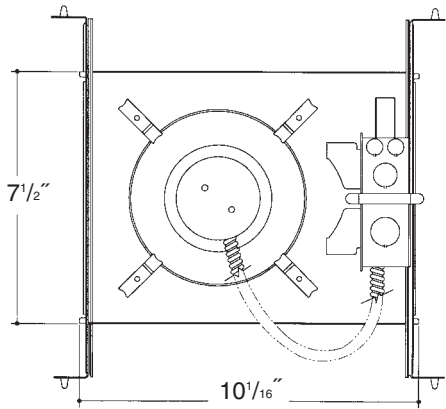


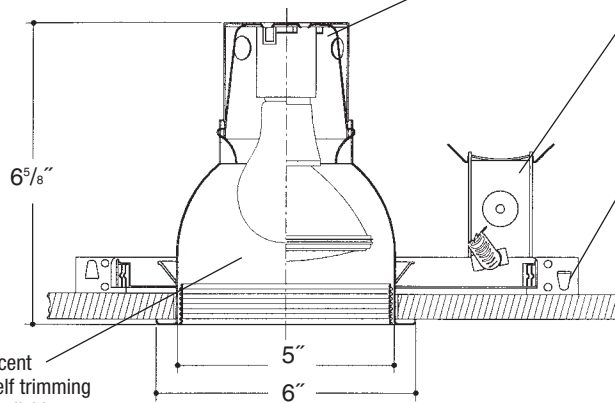
# C o m m e r c i a l G r a d e

Job Name \_\_\_\_\_

Type \_\_\_\_\_



## 5" OPEN BAFFLED INCANDESCENT



Aluminum socket cup with spring steel snap-in clips for fast assembly. *UL Listed* medium base porcelain socket, with nickel plated brass screw shell.

Heavy gauge electrogalvanized steel junction box, prewired and grounded with easy access from below. Listed for through branch circuit wiring. Thermal cutout provided.

Electrogalvanized steel frame components with spring steel reflector clips for fast assembly of reflector. Innovative, rigid bar hangers incorporate formed cross sections, joint positioning tabs, integral nails, auxiliary nailholes, T-Bar slots and holes for locking bars to T-Bar using #8 self-tapping screws (by others). Bars extend 14"-24". Frame will also accept Caddy Bar #517B for fast installation in drop-in ceilings, bars extend 27".

Heavy gauge spun aluminum low iridescent reflector with multi-groove baffle and self trimming white painted flange. Polished Flange available.

### Rough in Kit – 5" Incandescent (100W A19; 75W PAR30; 50W PAR20)

Catalog Number **5INC**

**5INC**

Wattage

Options

100W MAX. A19  
75W PAR30 ❄️  
50W PAR20

277V SD  
R

Options ▲

**277V SD** Step Down Transformer 277V to 120V  
**R** Remodeler

❄️ Long Neck Only

### Finishing Kit – 5" Incandescent Open Baffled Reflector

Catalog Number **5350**

**5350**

Finish

Options

SCL/BL  
SGO/BL  
SCL/WH  
SGO/WH  
WHT/WH  
WHT/BL

PF  
GSK

Finish (Factory Standard)

**SCL/BL** Specular Clear "Alzak" with White Flange and Black Baffle  
**SGO/BL** Specular Gold "Alzak" with White Flange and Black Baffle  
**SCL/WH** Specular Clear "Alzak" with White Flange and White Baffle  
**SGO/WH** Specular Gold "Alzak" with White Flange and White Baffle  
**WHT/WH** White Reflector with White Flange and White Baffle  
**WHT/BL** White Reflector with White Flange and Black Baffle

Options ▲

**PF** High Polished Flange  
**GSK** Neoprene Foam Single Gasketing

### Features

Manufactured and Listed to UL 1598, ETL and CSA standards.  
Suitable for Damp Locations  
Wet location under covered ceiling



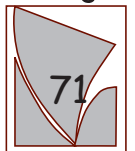
▲ See Options and Finishes pages for a list of additional finishes and equipment.

Vantage reserves the right to change components, finishes or design details in any manner which does not alter the installed appearance or reduce performance and intended function.

05/07

76 Community Avenue Plainfield, CT 06374  
voice (860)564.4512 fax (860)564.4854  
www.vantageltg.com

Vantage



Luminaires

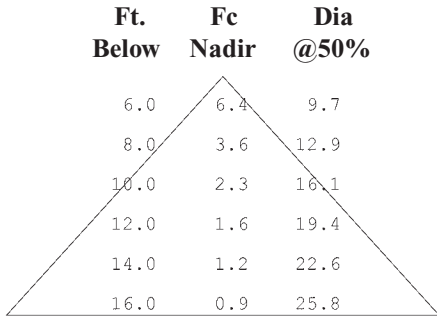
# Photometric Information

**Product Number:** 5INC/5350SCL/BL  
**Frame In Kit:** 5" Vertical Mount Incandescent  
**Reflector:** 5" Vertical Shallow Clear "Alzak" with Black Baffle  
**LTL Test Number:** 6653 (A19)  
**Lamp(s) Source:** 100W A19 Rated at 1710 lumens  
**Total Luminaire Efficiency:** 34.1%  
**CIE Type:** Direct  
**Luminaire Spacing Criterion:** 1.4  
**Luminous Diameter:** 4.875

### Zonal Lumen Summary

ZONE	LUMENS	%LAMP	%FIXTURE
0- 30	252	14.7	43.3
0- 40	434	25.4	74.4
0- 60	579	33.9	99.4
0- 90	583	34.1	100.0
90-180	0	0.0	0.0
0-180	583	34.1	100.0

### Cone of Light



### Coefficients of Utilization

RC	80				70				50				30				10				0
RW	70	50	30	10	70	50	30	10	50	30	10	50	30	10	50	30	10	50	30	10	0
0	41	41	41	41	40	40	40	40	38	38	38	36	36	36	35	35	35	34	34	34	0
1	38	37	37	36	38	37	36	35	35	35	34	34	34	33	33	32	32	31	31	30	31
2	36	35	33	32	36	34	33	32	33	32	31	32	31	30	31	30	30	29	29	29	29
3	34	32	30	29	34	31	30	28	31	29	28	30	29	28	29	28	27	27	27	27	27
4	32	30	27	26	32	29	27	26	28	27	25	28	26	25	27	26	25	24	24	24	24
5	30	27	25	23	30	27	25	23	26	24	23	26	24	23	25	24	23	22	22	22	22
6	28	25	23	21	28	25	23	21	24	22	21	24	22	21	23	22	21	20	20	20	20
7	26	23	20	19	26	23	20	19	22	20	19	22	20	19	21	20	18	18	18	18	18
8	25	21	18	17	24	21	18	17	20	18	17	20	18	17	19	18	17	16	16	16	16
9	23	19	17	15	22	19	16	15	18	16	15	18	16	15	18	16	15	14	14	14	14
10	21	17	15	13	21	17	15	13	17	15	13	16	15	13	16	14	13	13	13	13	13

