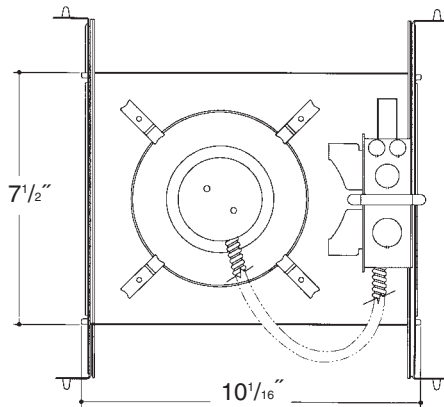


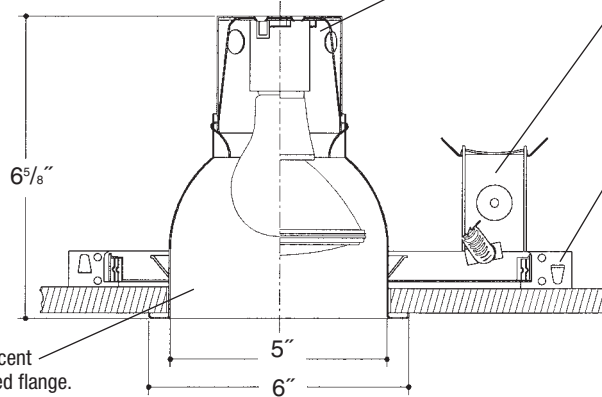
C o m m e r c i a l G r a d e

Job Name _____

Type _____



**5" OPEN
INCANDESCENT**



Aluminum socket cup with spring steel snap-in clips for fast assembly. *UL Listed* medium base porcelain socket, with nickel plated brass screw shell.

Heavy gauge electrogalvanized steel junction box, prewired and grounded with easy access from below. Listed for through branch circuit wiring. Thermal cutout provided.

Electrogalvanized steel frame components with spring steel reflector clips for fast assembly of reflector. Innovative, rigid bar hangers incorporate formed cross sections, joint positioning tabs, integral nails, auxiliary nailholes, T-Bar slots and holes for locking bars to T-Bar using #8 self-tapping screws (by others). Bars extend 14"-24". Frame will also accept Caddy Bar #517B for fast installation in drop-in ceilings, bars extend 27".

Heavy gauge spun aluminum low iridescent reflector with self trimming white painted flange. Polished Flange available.

Rough in Kit – 5" Incandescent (100W A19; 75W PAR30; 50W PAR20)

Catalog Number **5INC** _____

5INC

Wattage

100W MAX. A19
75W PAR30❖❖
50W PAR20

Options

277V SD
R

Options ▲

277V SD
R

Step Down Transformer 277V to 120V Remodeler

❖❖ Long Neck Only

Finishing Kit – 5" Incandescent Open Reflector

Catalog Number **5300** _____

5300

Finish

SCL
SGO
WHT

Options

PF
GSK

Finish (Factory Standard)

SCL
SGO
WHT

Specular Clear "Alzak" with White Flange
Specular Gold "Alzak" with White Flange
White Reflector with White Flange

Options ▲

PF
GSK

High Polished Flange
Neoprene Foam Single Gasketing

Features

Manufactured and Listed to UL 1598, ETL and CSA standards.
Suitable for Damp Locations
Wet location under covered ceiling



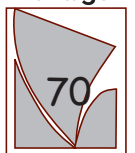
▲ See Options and Finishes pages for a list of additional finishes and equipment.

Vantage reserves the right to change components, finishes or design details in any manner which does not alter the installed appearance or reduce performance and intended function.

05/07

76 Community Avenue Plainfield, CT 06374
voice (860)564.4512 fax (860)564.4854
www.vantageltg.com

Vantage



Luminaires

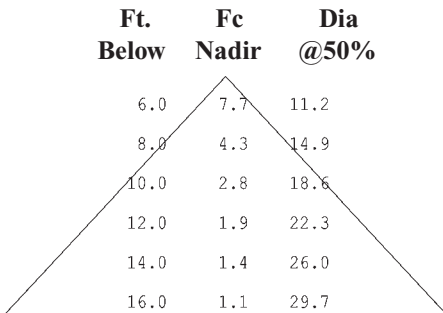
Photometric Information

Product Number: 5INC/5300SCL
Frame In Kit: 5" Vertical Mount Incandescent
Reflector: 5" Vertical Shallow Clear "Alzak" Reflector
LTL Test Number: 6652 (A19)
Lamp(s) Source: 100W A19 Rated at 1710 lumens
Total Luminaire Efficiency: 69.2%
CIE Type: Direct
Luminaire Spacing Criterion: 1.2
Luminous Diameter: 5.000

Zonal Lumen Summary

ZONE	LUMENS	%LAMP	%FIXTURE
0- 30	307	17.9	28.8
0- 40	572	33.5	53.7
0- 60	991	57.9	93.0
0- 90	1065	62.3	100.0
90-180	0	0.0	0.0
0-180	1065	62.3	100.0

Cone of Light



Coefficients of Utilization

RC	80				70				50				30				10				0	
RW	70	50	30	10	70	50	30	10	50	30	10	50	30	10	50	30	10	50	30	10	0	
0	74	74	74	74	72	72	72	72	69	69	69	66	66	66	63	63	63	62				
1	69	67	65	63	68	66	64	62	63	62	60	61	60	59	59	58	57	56				
2	65	61	58	55	63	60	57	54	58	55	53	56	54	52	54	52	51	50				
3	60	55	51	47	59	54	50	47	52	49	46	50	48	45	49	47	45	44				
4	56	49	45	41	54	49	44	41	47	43	41	46	43	40	45	42	40	38				
5	51	44	40	36	50	44	39	36	42	38	35	41	38	35	40	37	35	34				
6	47	40	35	31	46	39	34	31	38	34	31	37	33	31	36	33	30	29				
7	43	35	30	27	42	35	30	27	34	30	26	33	29	26	32	29	26	25				
8	40	32	27	23	39	31	26	23	30	26	23	30	26	23	29	25	23	22				
9	36	28	23	20	36	28	23	20	27	23	20	27	23	20	26	22	20	19				
10	34	25	21	17	33	25	20	17	25	20	17	24	20	17	23	20	17	16				

